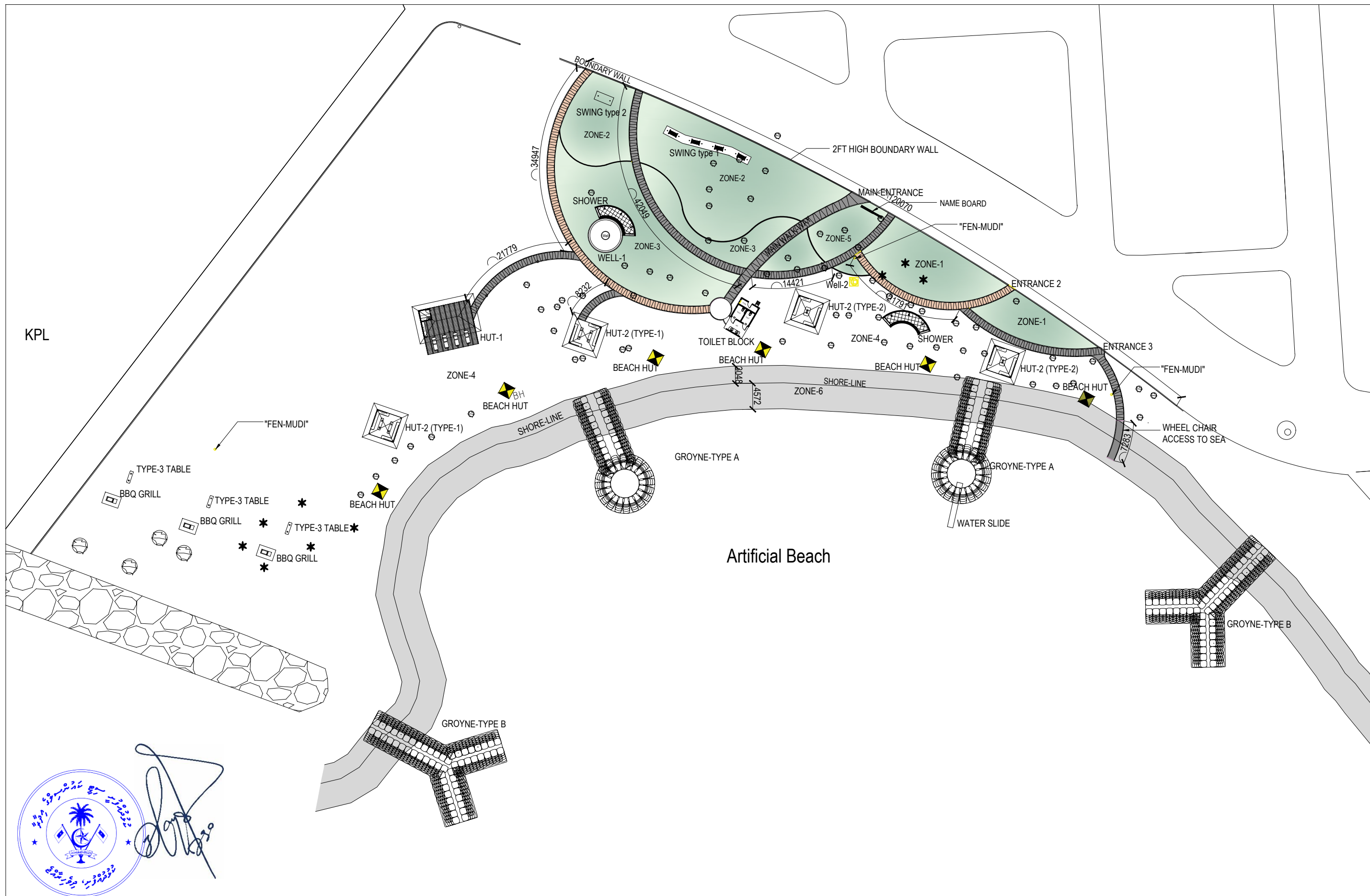


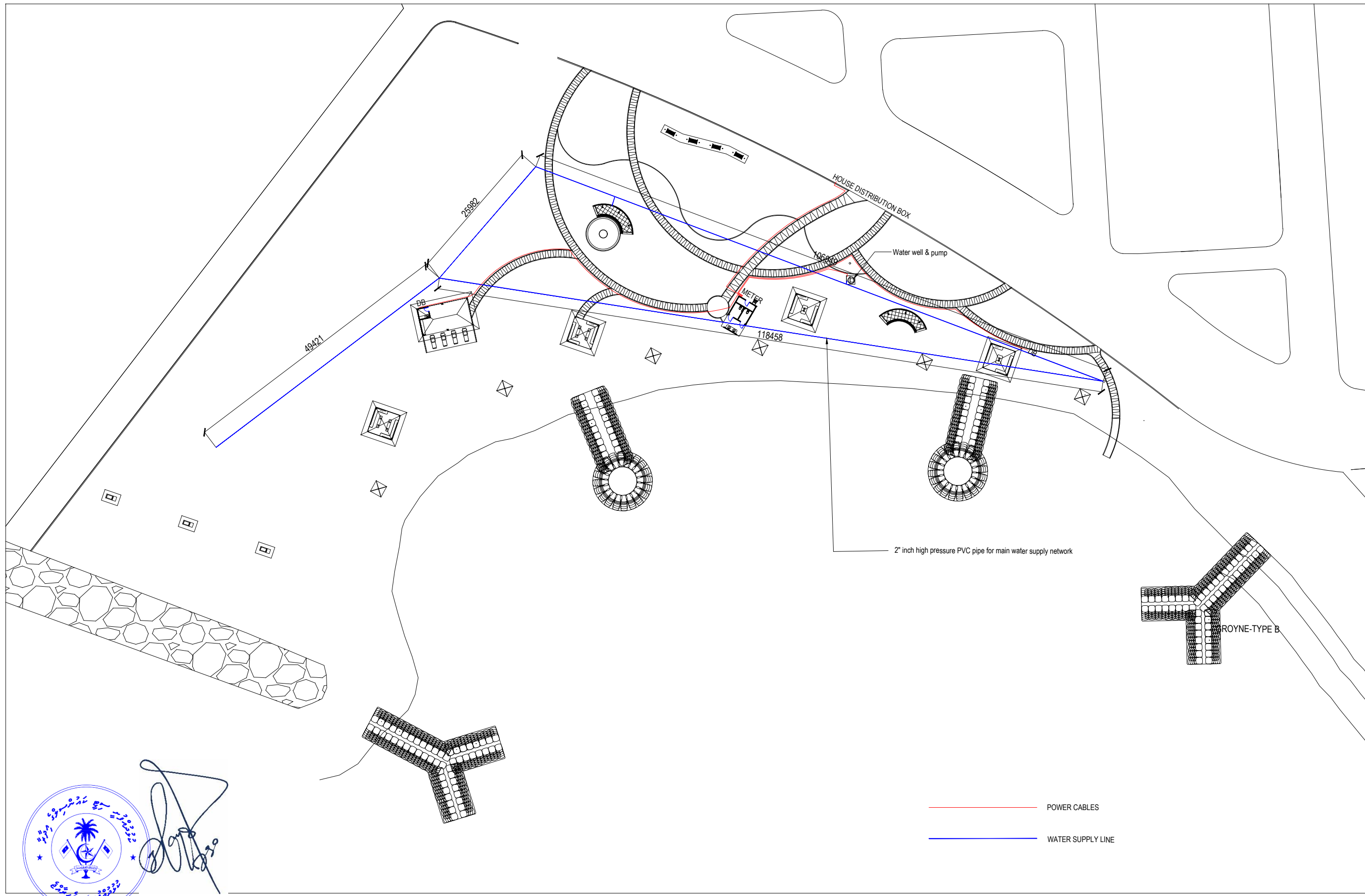
BOAZIYAARAIY BEACH DEVELOPMENT

TENDER DRAWINGS

11-12-2024

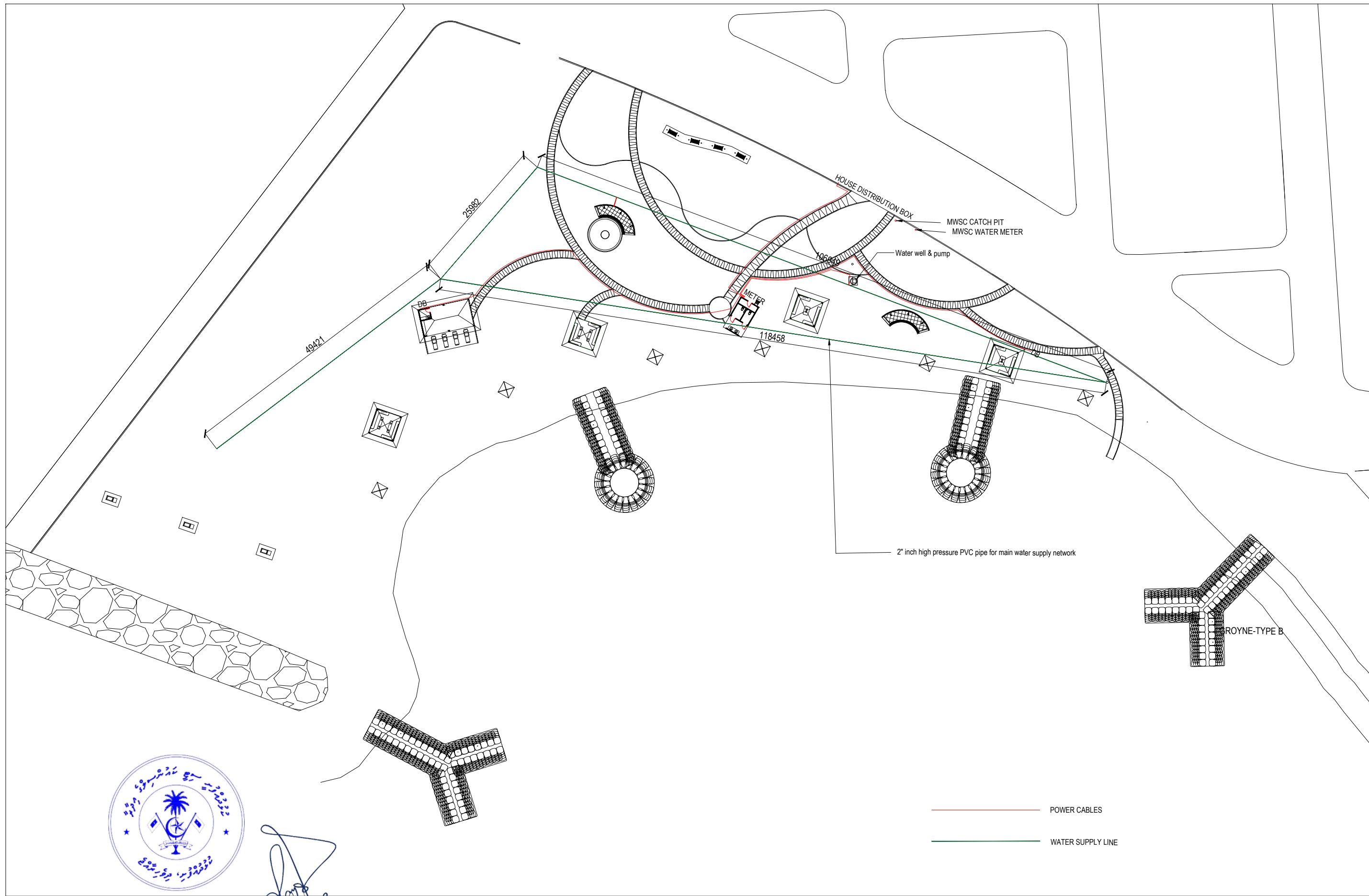


<p>SECRETARIAT OF THE KULHUDHUFFUSHI CITY COUNCIL AMEENEE MAGU, KULHUDHUFFUSHI CITY, 02110, REP. OF MALDIVES TEL: 1621 EMAIL: info@kulhudhuffushicity.gov.mv</p>	<p>SHEET TITLE: BEACH LAYOUT</p>	<p>PROJECT: BOAZIYAARAIY BEACH DEVELOPMENT</p>	<p>DRAWN BY: ADAM MOHAMED</p> <p>CHECKED BY: IMRAN AHMED</p>	<p>DATE: 26 OCTOBER 2024</p> <p>SCALE: AS GIVEN</p>	<p>PAGE NO: A1</p>
--	--	--	--	---	---------------------------------------



[Handwritten signature]

<p>SECRETARIAT OF THE KULHUDHUFFUSHI CITY COUNCIL AMEENEE MAGU, KULHUDHUFFUSHI CITY, 02110, REP. OF MALDIVES TEL: 1621 EMAIL: info@kulhudhuffushicity.gov.mv</p>	<p>SHEET TITLE: POWER LAYOUT PLUMBING LAYOUT</p>	<p>PROJECT: BOAZIYAARAI BEACH DEVELOPMENT</p>	<p>DRAWN BY: ADAM MOHAMED</p> <p>CHECKED BY: IMRAN AHMED</p>	<p>DATE: 26 OCTOBER 2024</p> <p>SCALE: AS GIVEN</p>	<p>PAGE NO: A2</p>
--	---	---	--	---	---------------------------------------



SECRETARIAT OF THE KULHUDHUFFUSHI CITY COUNCIL
 AMEENEE MAGU, KULHUDHUFFUSHI CITY, 02110, REP. OF MALDIVES
 TEL: 1621 EMAIL: info@kulhudhuffushicity.gov.mv

SHEET TITLE:
 POWER LAYOUT
 PLUMBING LAYOUT

PROJECT:
 BOAZIYAARAI BEACH DEVELOPMENT

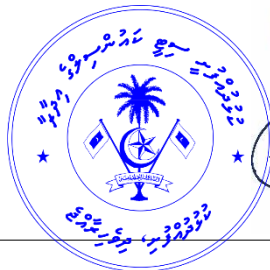
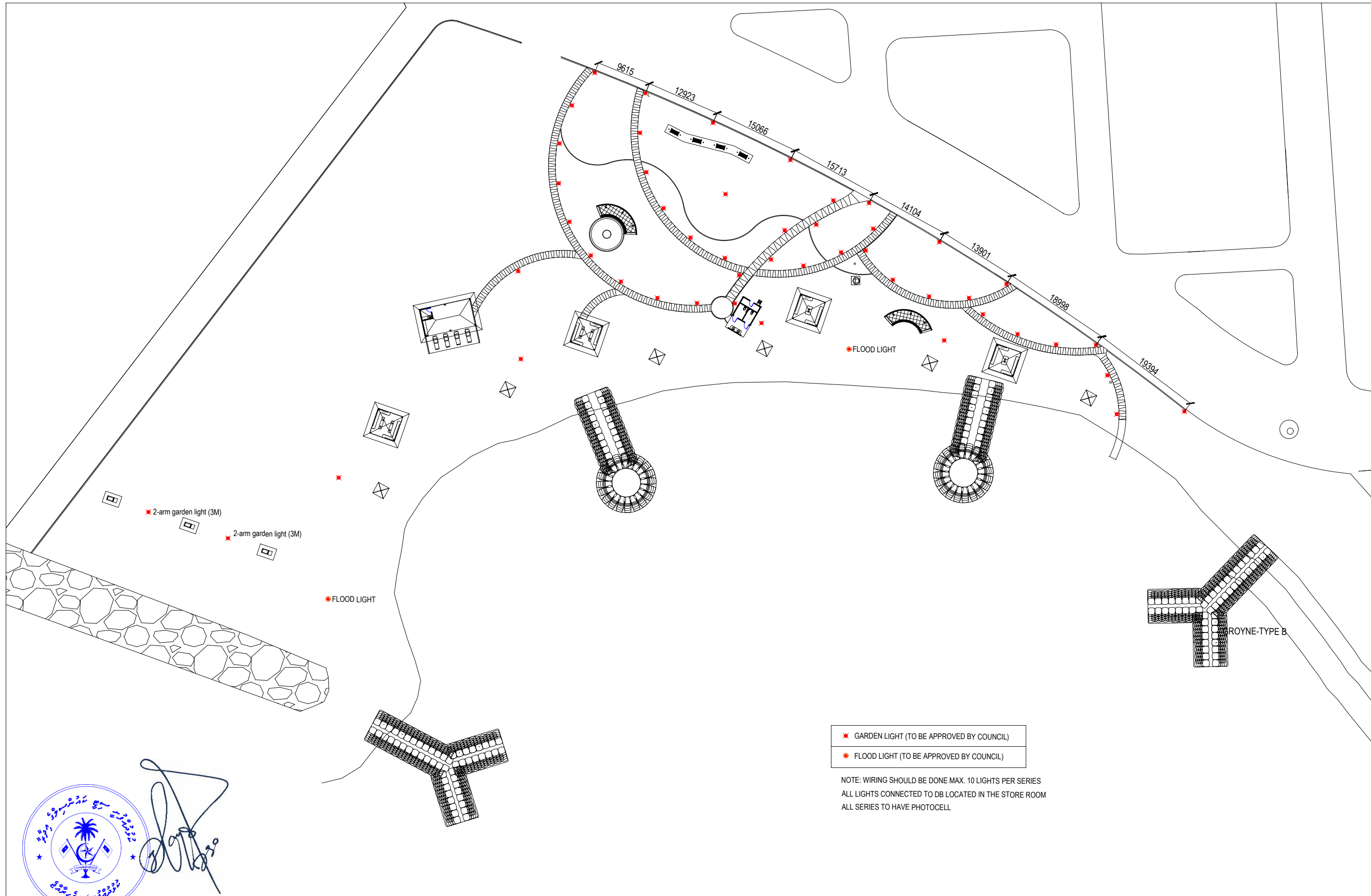
DRAWN BY:
 ADAM MOHAMED

CHECKED BY:
 IMRAN AHMED

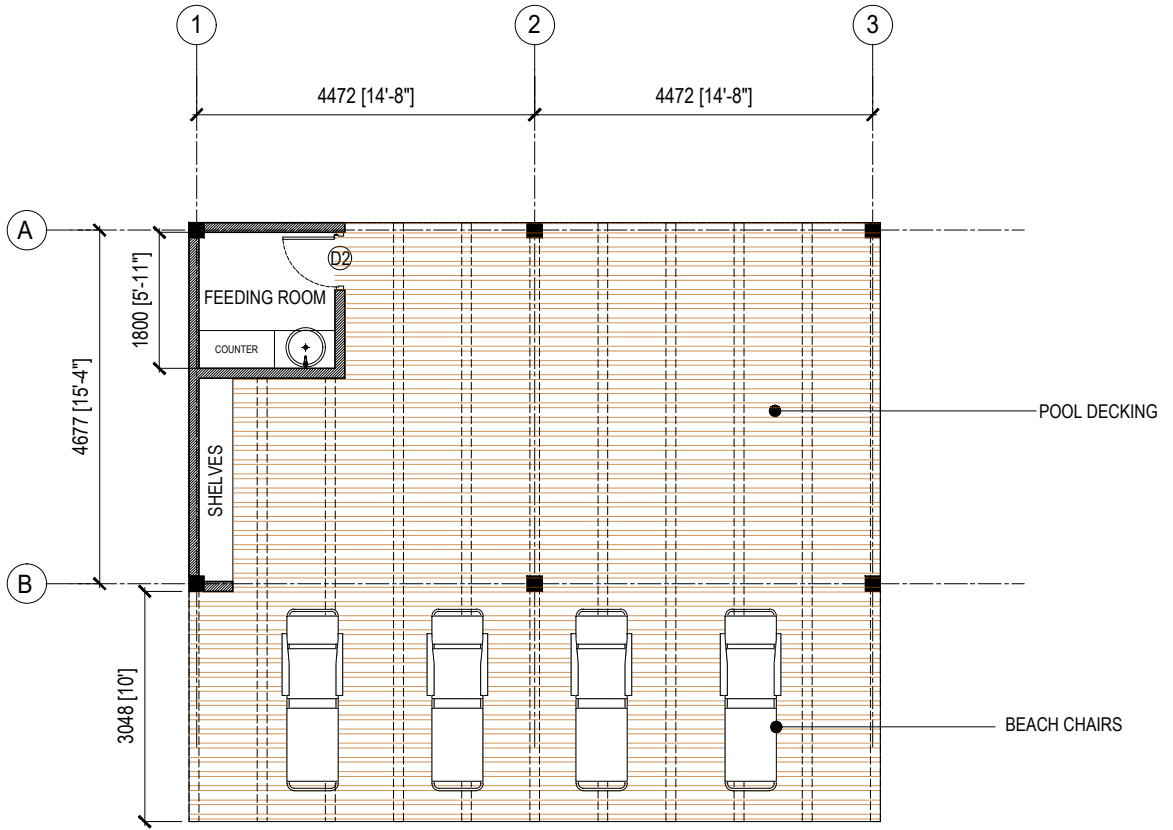
DATE: 26 OCTOBER 2024

SCALE: AS GIVEN

PAGE NO:
A2

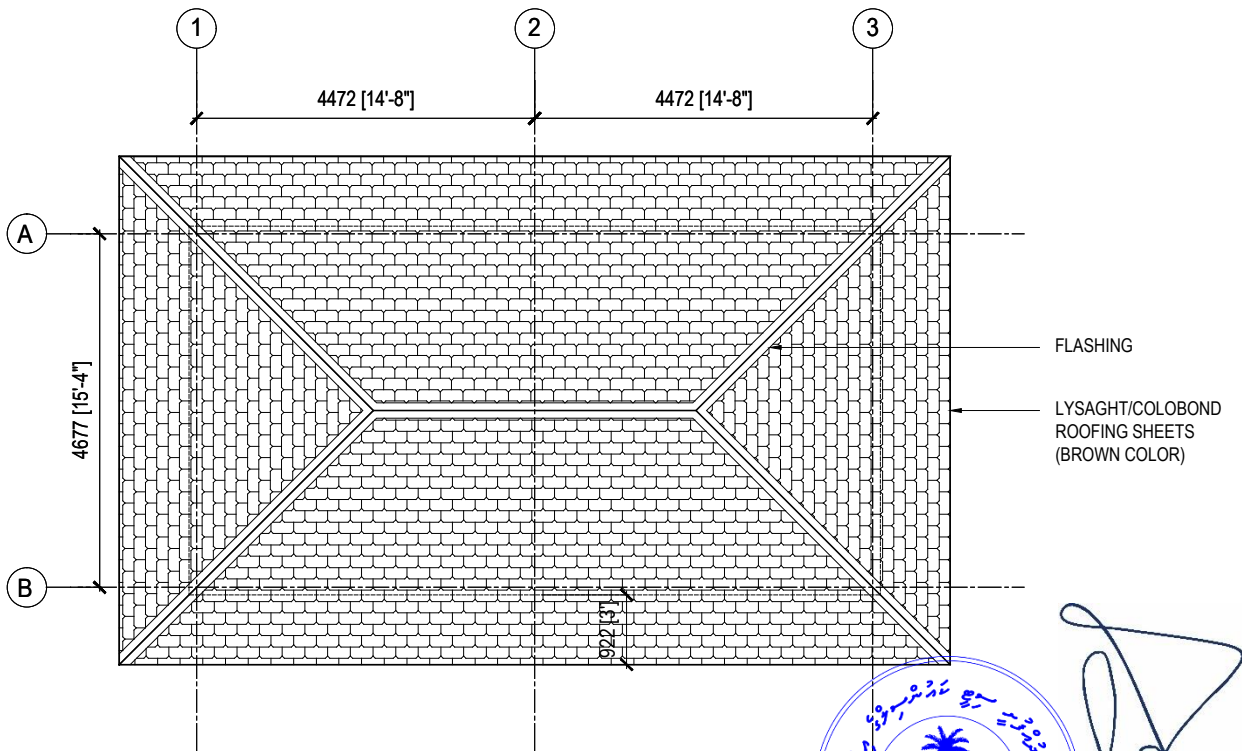


Handwritten signature in blue ink.

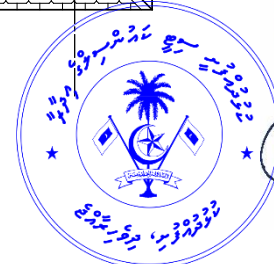


GROUND FLOOR PLAN
SCALE 1:100

NOTE: 100MM SOLID BLOCK WALL
12MM PLASTERING ON BOTH SIDES

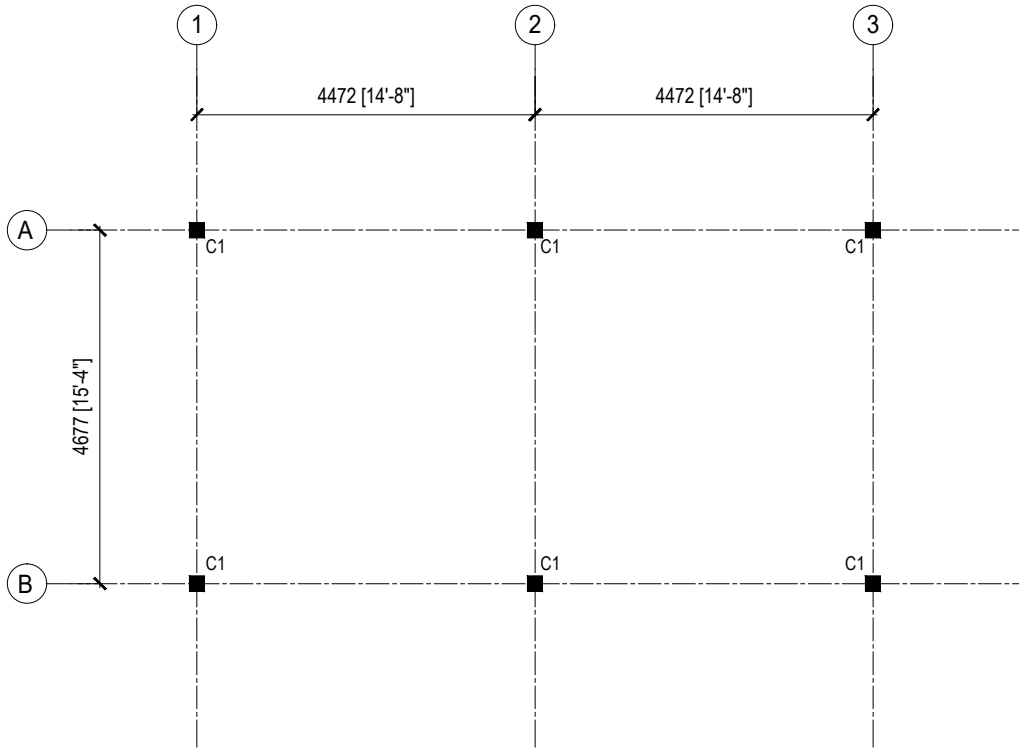


ROOF PLAN
SCALE 1:100

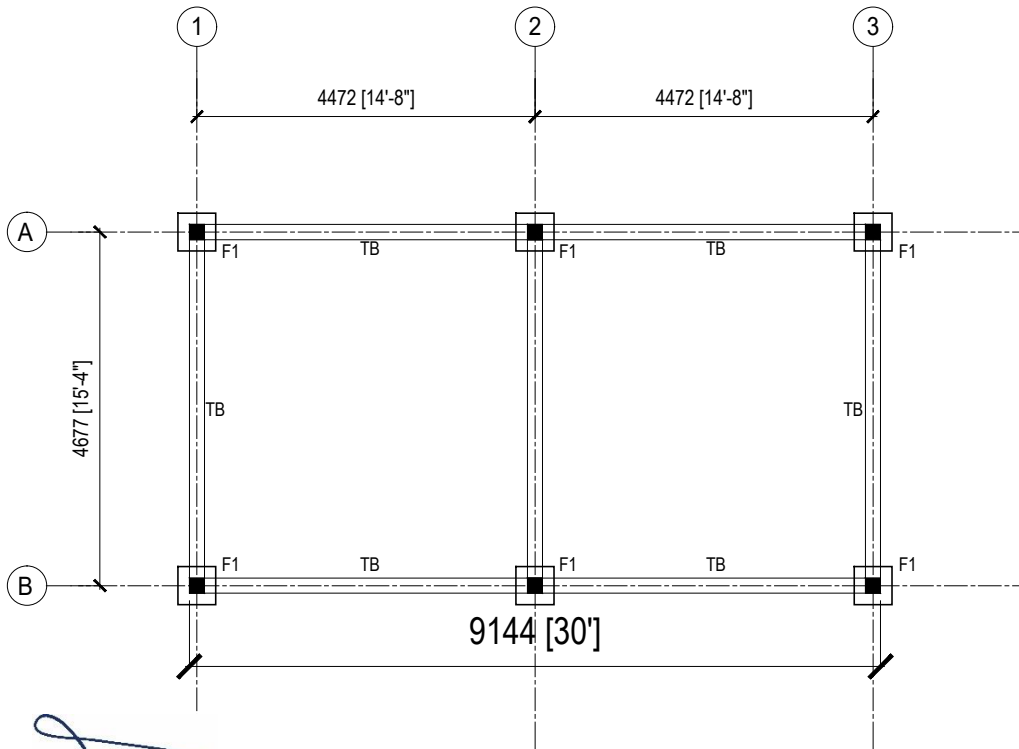


[Handwritten Signature]

SECRETARIAT OF THE KULHUDHUFFUSHI CITY COUNCIL AMEENEE MAGU, KULHUDHUFFUSHI CITY, 02110, REP. OF MALDIVES TEL: 1621 EMAIL: info@kulhudhuffushicity.gov.mv	SHEET TITLE: HUT-1 DRAWINGS	PROJECT: BOAZIYAARAIY BEACH DEVELOPMENT	DRAWN BY: ADAM MOHAMED CHECKED BY: IMRAN AHMED	DATE: 26 OCTOBER 2024 SCALE: AS GIVEN	PAGE NO: 01
---	---------------------------------------	---	---	--	------------------------------



COLUMN LOCATION PLAN
SCALE 1:100

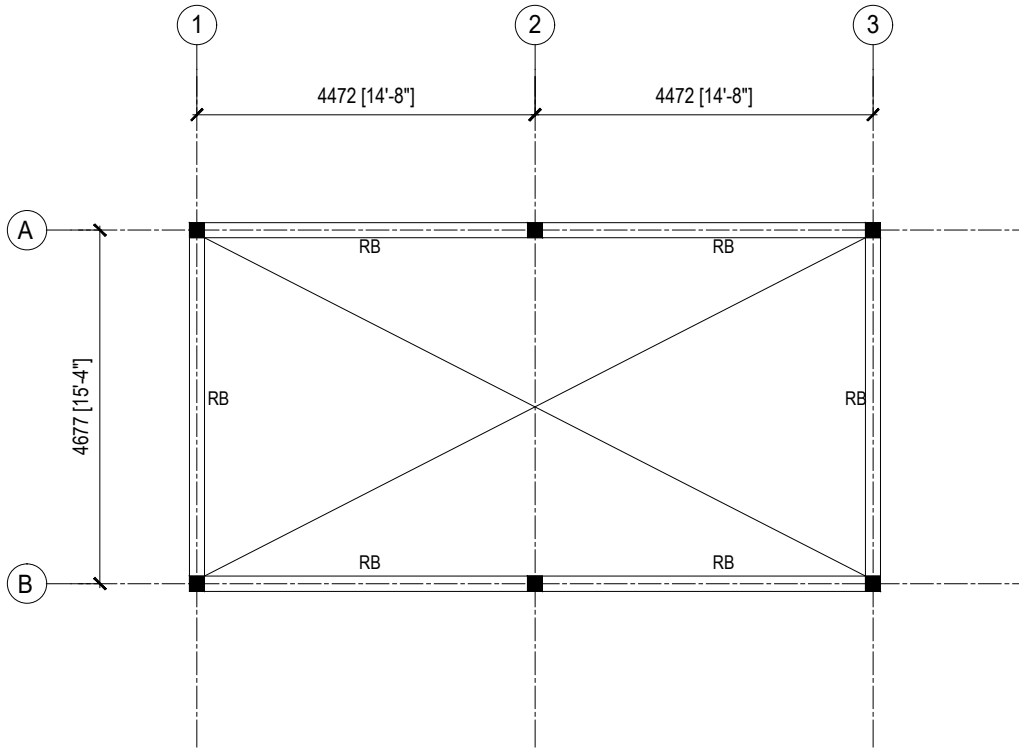


F1-500MMX500MMX200MM [T10@150C/C BW BOTTOM]
FOUNDATION DEPTH=600MM FROM NGL

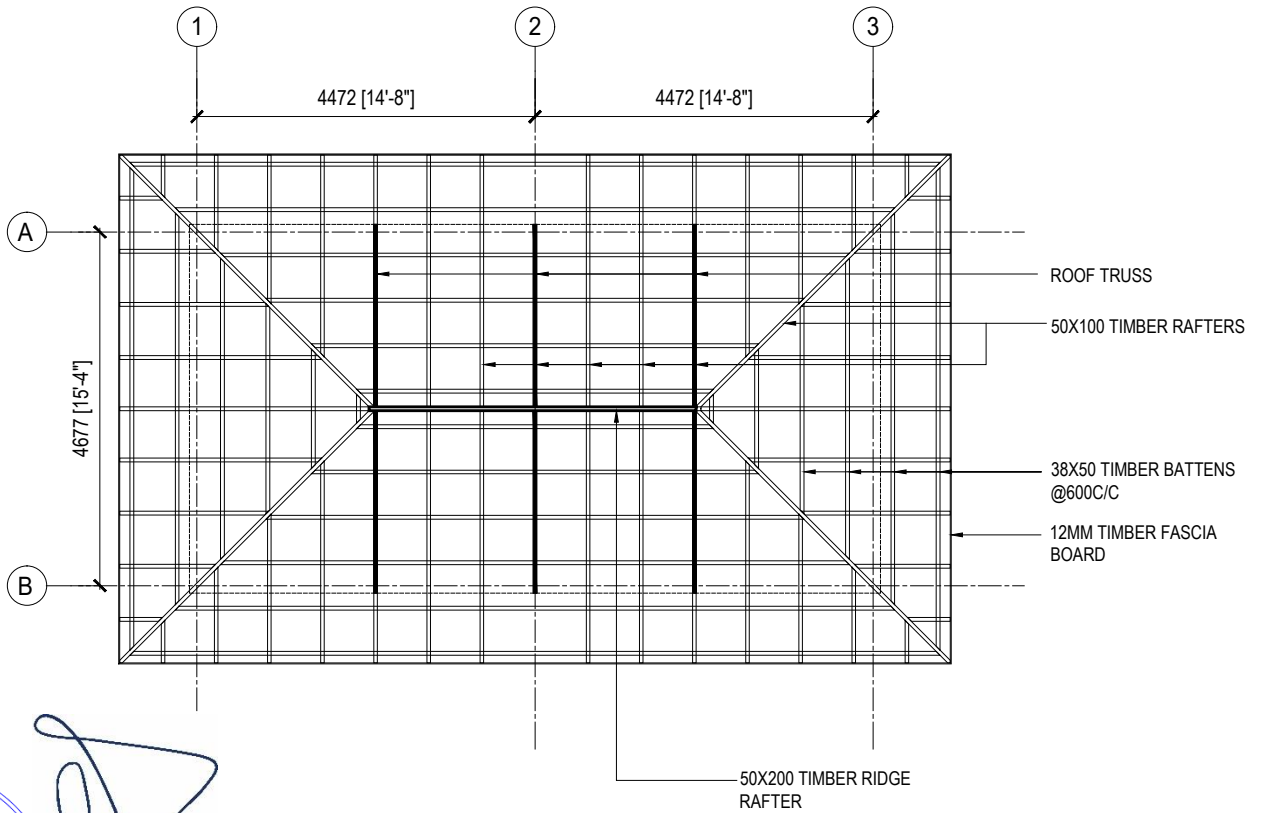


FOUNDATION PLAN
SCALE 1:100

SECRETARIAT OF THE KULHUDHUFFUSHI CITY COUNCIL AMEENEE MAGU, KULHUDHUFFUSHI CITY, 02110, REP. OF MALDIVES TEL: 1621 EMAIL: info@kulhudhuffushicity.gov.mv	SHEET TITLE: HUT-1 DRAWINGS	PROJECT: BOAZIYAARAIY BEACH DEVELOPMENT	DRAWN BY: ADAM MOHAMED CHECKED BY: IMRAN AHMED	DATE: 26 OCTOBER 2024 SCALE: AS GIVEN	PAGE NO: 02
---	---------------------------------------	---	---	--	------------------------------



ROOF BEAM PLAN
SCALE 1:100

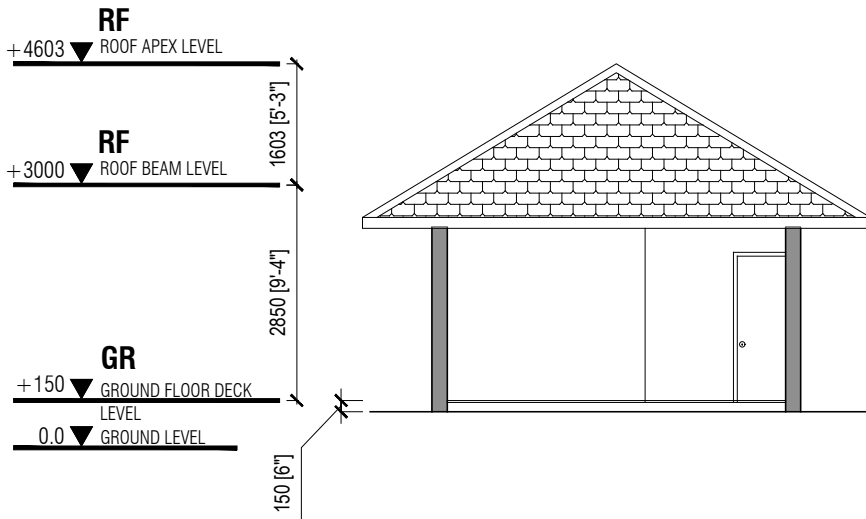


OF FRAMING PLAN
SCALE 1:100

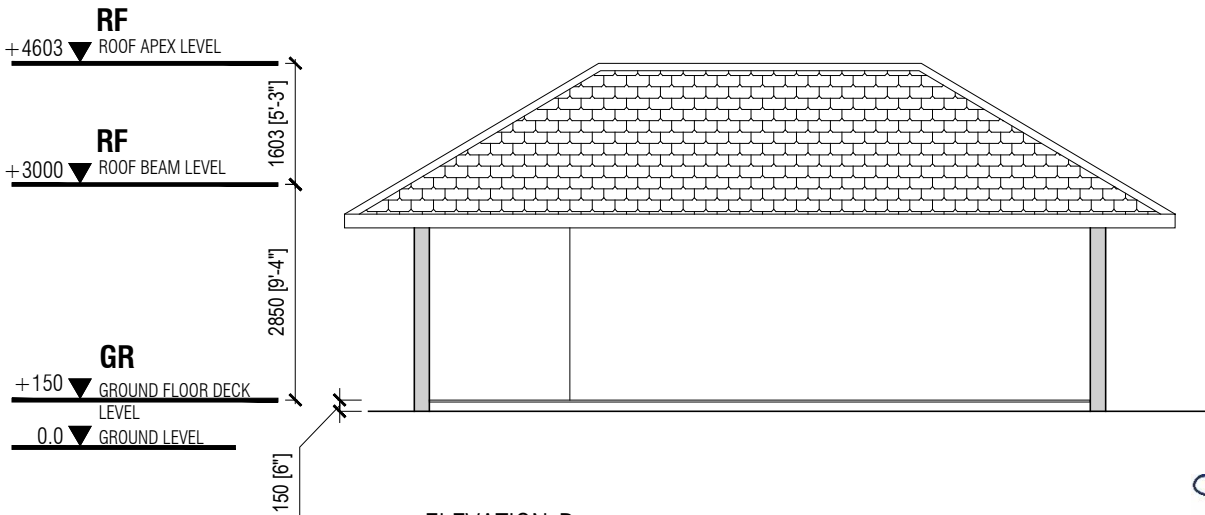


[Handwritten signature]

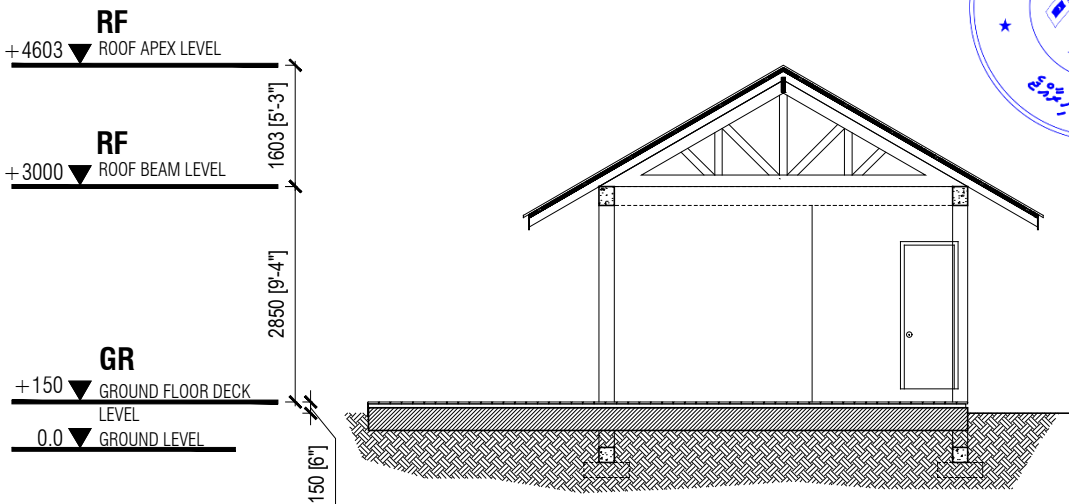
SECRETARIAT OF THE KULHUDHUFFUSHI CITY COUNCIL AMEENEE MAGU, KULHUDHUFFUSHI CITY, 02110, REP. OF MALDIVES TEL: 1621 EMAIL: info@kulhudhuffushicity.gov.mv	SHEET TITLE: HUT-1 DRAWINGS	PROJECT: BOAZIYAARAIY BEACH DEVELOPMENT	DRAWN BY: ADAM MOHAMED CHECKED BY: IMRAN AHMED	DATE: 26 OCTOBER 2024 SCALE: AS GIVEN	PAGE NO: 03
---	---------------------------------------	---	---	--	----------------------------------



ELEVATION-A
SCALE 1:100



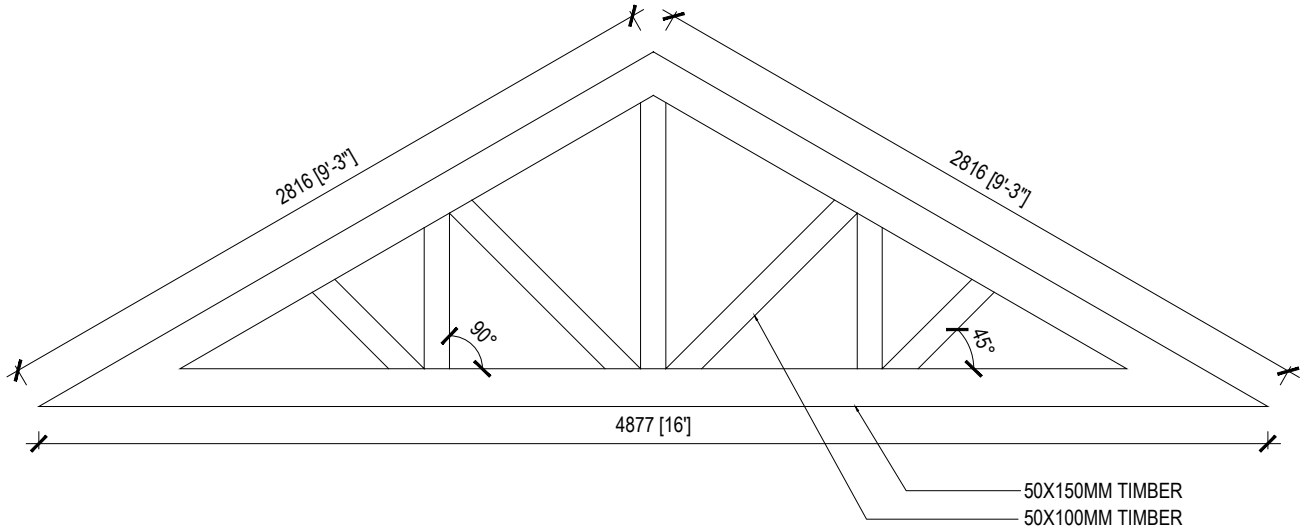
ELEVATION-B
SCALE 1:100



SECTION-X
SCALE 1:100

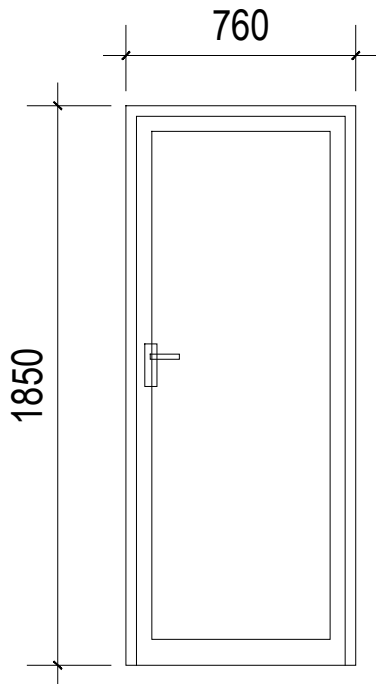


<p>SECRETARIAT OF THE KULHUDHUFFUSHI CITY COUNCIL AMEENEE MAGU, KULHUDHUFFUSHI CITY, 02110, REP. OF MALDIVES TEL: 1621 EMAIL: info@kulhudhuffushicity.gov.mv</p>	<p>SHEET TITLE: HUT-1 DRAWINGS</p>	<p>PROJECT: BOAZIYAARAIY BEACH DEVELOPMENT</p>	<p>DRAWN BY: ADAM MOHAMED</p> <p>CHECKED BY: IMRAN AHMED</p>	<p>DATE: 26 OCTOBER 2024</p> <p>SCALE: AS GIVEN</p>	<p>PAGE NO: 04</p>
--	---	---	--	---	--------------------------------------



ROOF TRUSS DETAIL

SCALE 1:30



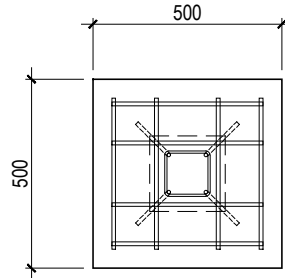
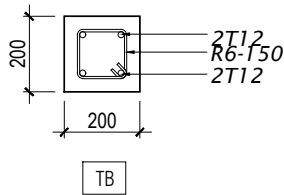
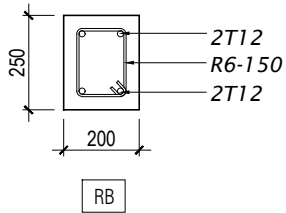
ALUMINIUM FRAMED OPENABLE DOOR
(ALUMINUM PANEL SHEETS)

DOOR DETAIL

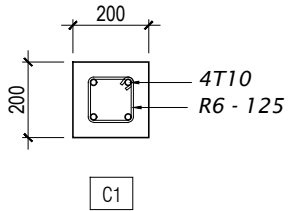
SCALE 1:30



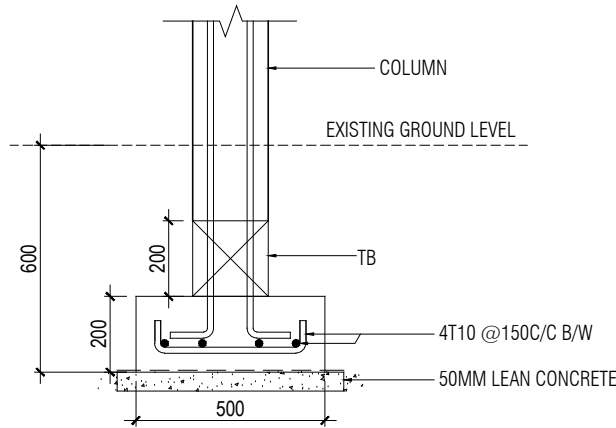
<p>SECRETARIAT OF THE KULHUDHUFFUSHI CITY COUNCIL AMEENEE MAGU, KULHUDHUFFUSHI CITY, 02110, REP. OF MALDIVES TEL: 1621 EMAIL: info@kulhudhuffushicity.gov.mv</p>	<p>SHEET TITLE: HUT-1 DRAWINGS</p>	<p>PROJECT: BOAZIYAARAIY BEACH DEVELOPMENT</p>	<p>DRAWN BY: ADAM MOHAMED</p> <p>CHECKED BY: IMRAN AHMED</p>	<p>DATE: 26 OCTOBER 2024</p> <p>SCALE: AS GIVEN</p>	<p>PAGE NO: 05</p>
--	--	--	--	---	-------------------------------



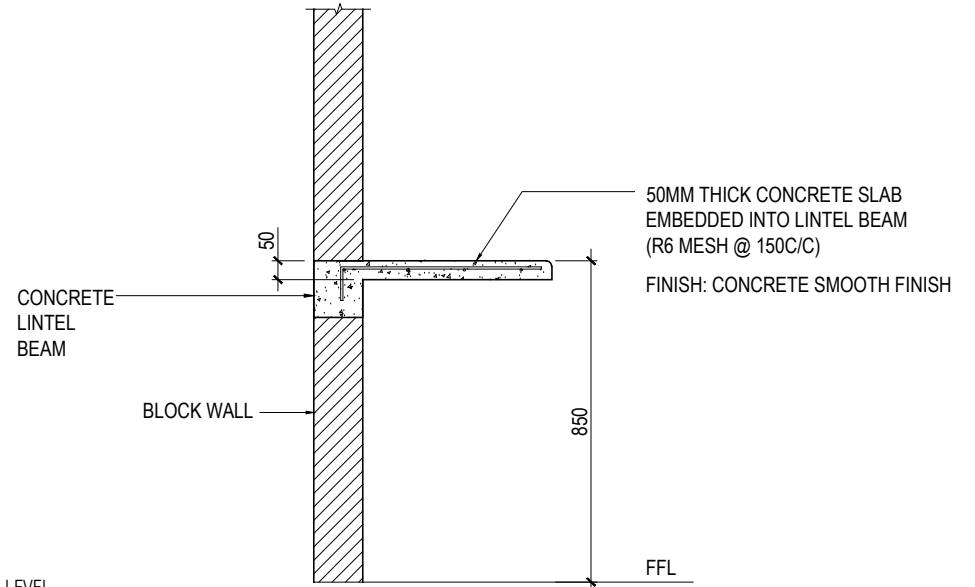
BEAM DETAILS
SCALE 1:20



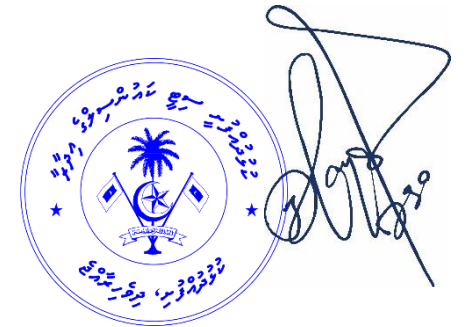
COLUMN DETAILS
SCALE 1:20



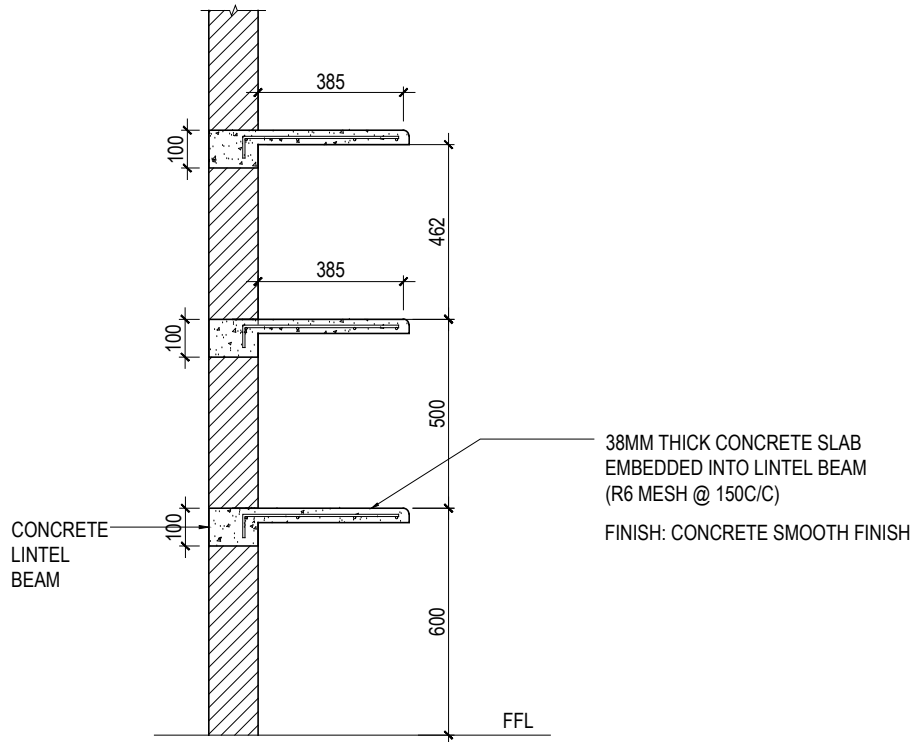
FOUNDATION PAD DETAIL
SCALE 1:20



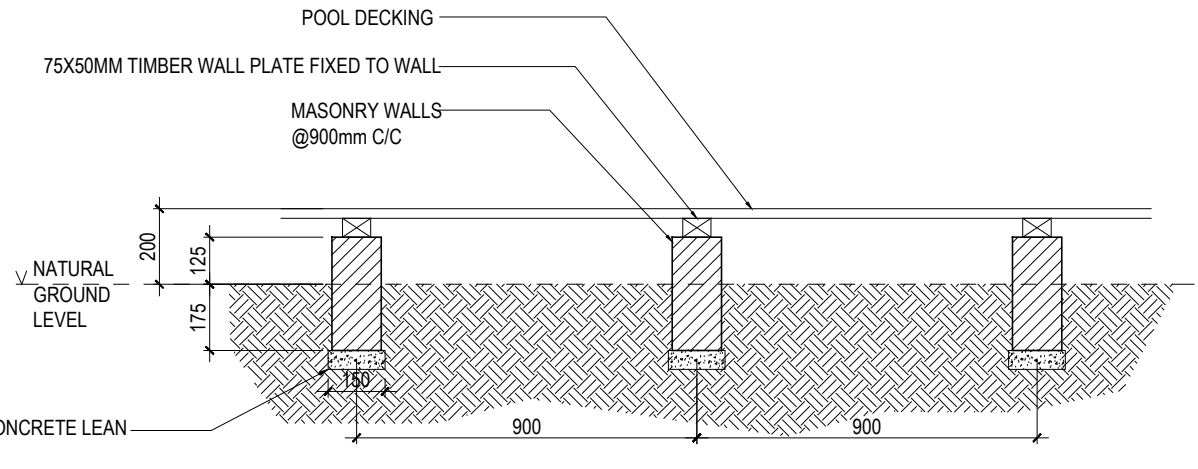
FEEDING TABLE DETAIL
SCALE 1:20



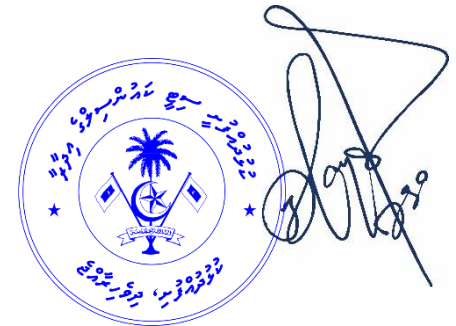
<p>SECRETARIAT OF THE KULHUDHUFFUSHI CITY COUNCIL AMEENEER MAGU, KULHUDHUFFUSHI CITY, 02110, REP. OF MALDIVES TEL: 1621 EMAIL: info@kulhudhuffushicity.gov.mv</p>	<p>SHEET TITLE: HUT-1 DRAWINGS</p>	<p>PROJECT: BOAZIYAARAIY BEACH DEVELOPMENT</p>	<p>DRAWN BY: ADAM MOHAMED</p> <p>CHECKED BY: IMRAN AHMED</p>	<p>DATE: 26 OCTOBER 2024</p> <p>SCALE: AS GIVEN</p>	<p>PAGE NO: 06</p>
---	---	---	--	---	--------------------------------------



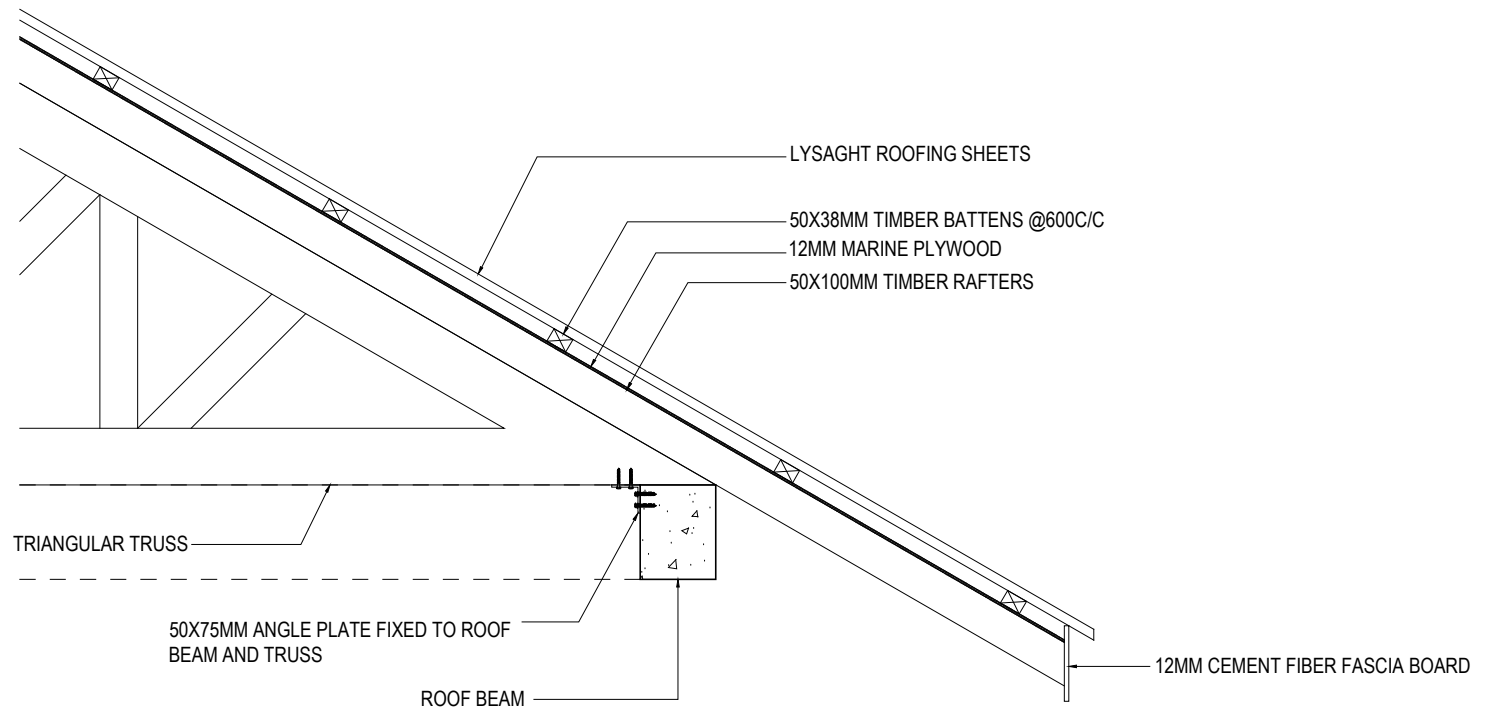
SHELF DETAIL
SCALE 1:20



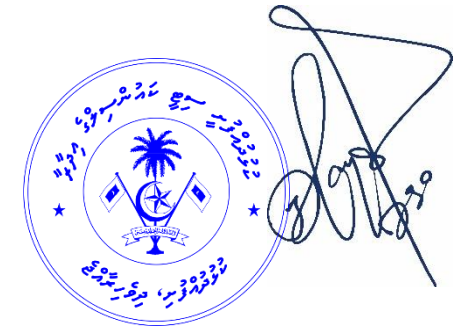
POOL DECK DETAIL
SCALE 1:20



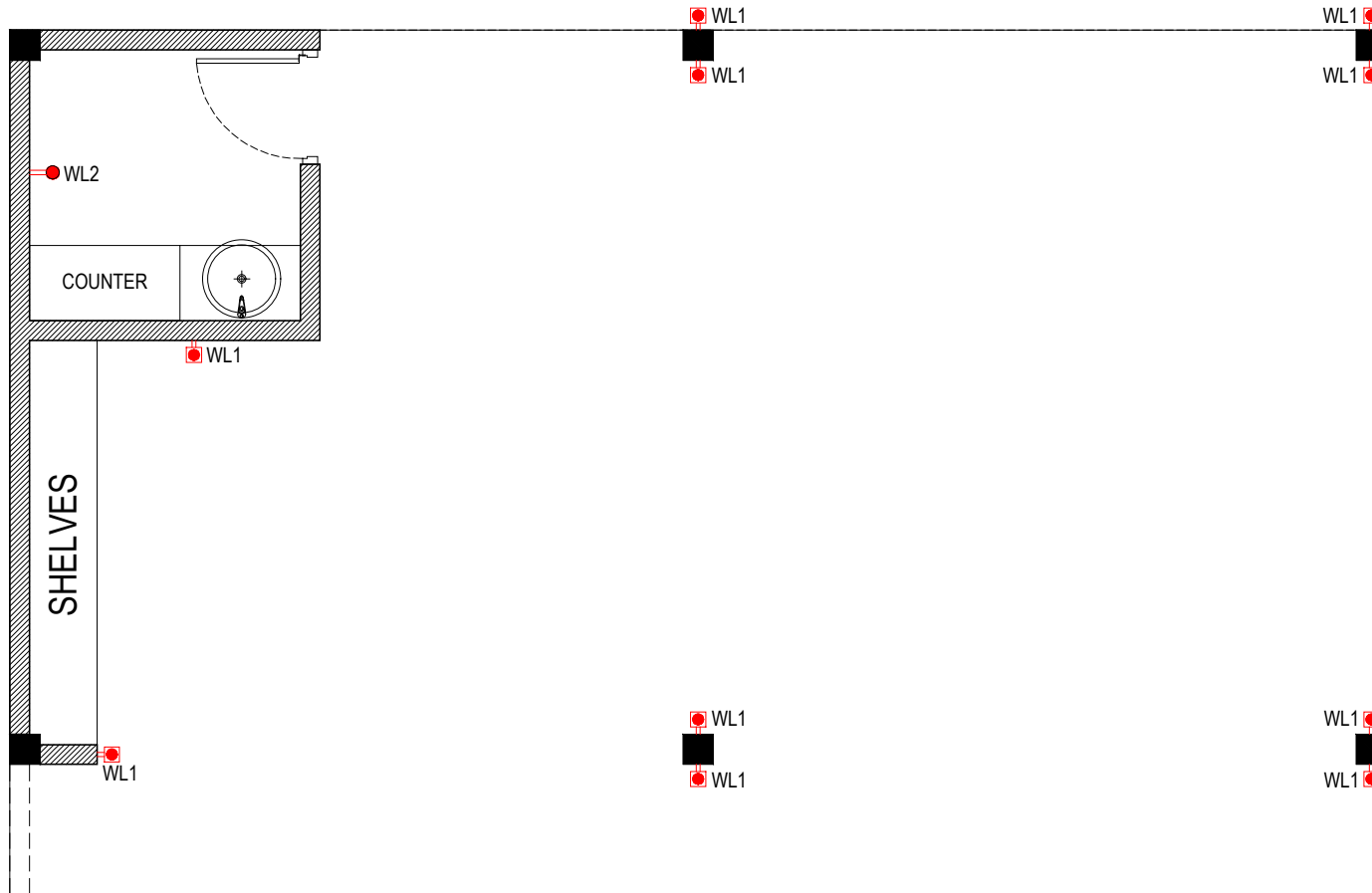
<p>SECRETARIAT OF THE KULHUDHUFFUSHI CITY COUNCIL AMEENE MAGU, KULHUDHUFFUSHI CITY, 02110, REP. OF MALDIVES TEL: 1621 EMAIL: info@kulhudhuffushicity.gov.mv</p>	<p>SHEET TITLE: HUT-1 DRAWINGS</p>	<p>PROJECT: BOAZIYAARAIY BEACH DEVELOPMENT</p>	<p>DRAWN BY: ADAM MOHAMED</p> <p>CHECKED BY: IMRAN AHMED</p>	<p>DATE: 26 OCTOBER 2024</p> <p>SCALE: AS GIVEN</p>	<p>PAGE NO: 07</p>
---	---	---	--	---	--------------------------------------





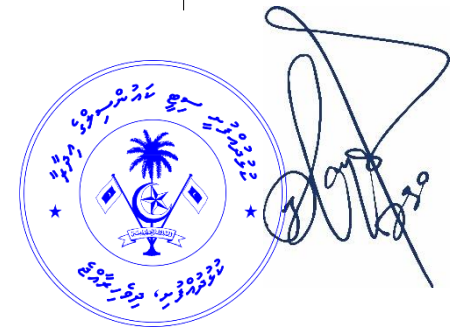
ROOF DETAIL
 SCALE 1:20



SECRETARIAT OF THE KULHUDHUFFUSHI CITY COUNCIL AMEENEE MAGU, KULHUDHUFFUSHI CITY, 02110, REP. OF MALDIVES TEL: 1621 EMAIL: info@kulhudhuffushicity.gov.mv	SHEET TITLE: HUT-1 DRAWINGS	PROJECT: BOAZIYAARAIY BEACH DEVELOPMENT	DRAWN BY: ADAM MOHAMED CHECKED BY: IMRAN AHMED	DATE: 26 OCTOBER 2024 SCALE: AS GIVEN	PAGE NO: 08
---	---------------------------------------	---	---	--	------------------------------

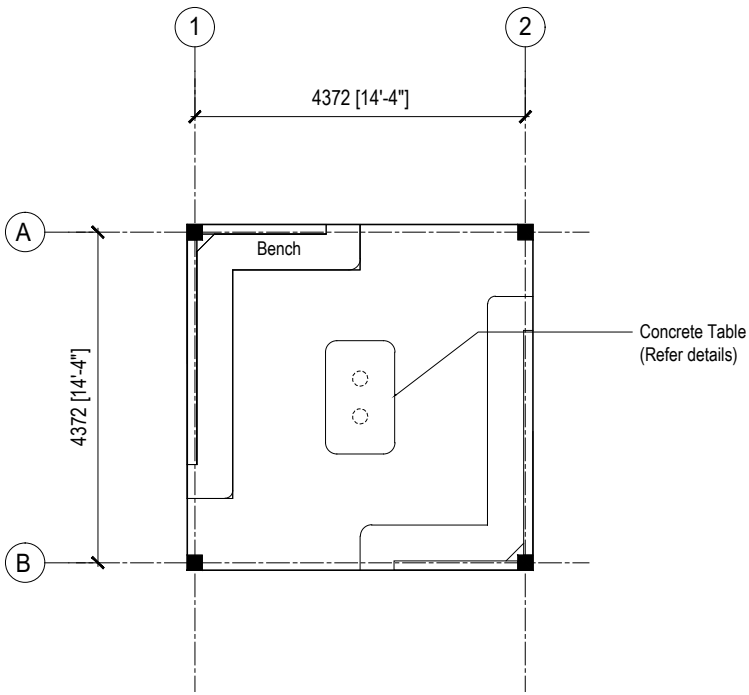


SYMBOL	DESCRIPTION
 WL1	WALL MOUNT UP-DOWN LIGHT (WARM) (TO BE APPROVED BY COUNCIL)
 WL2	WALL MOUNT LIGHT (WARM) (TO BE APPROVED BY COUNCIL)

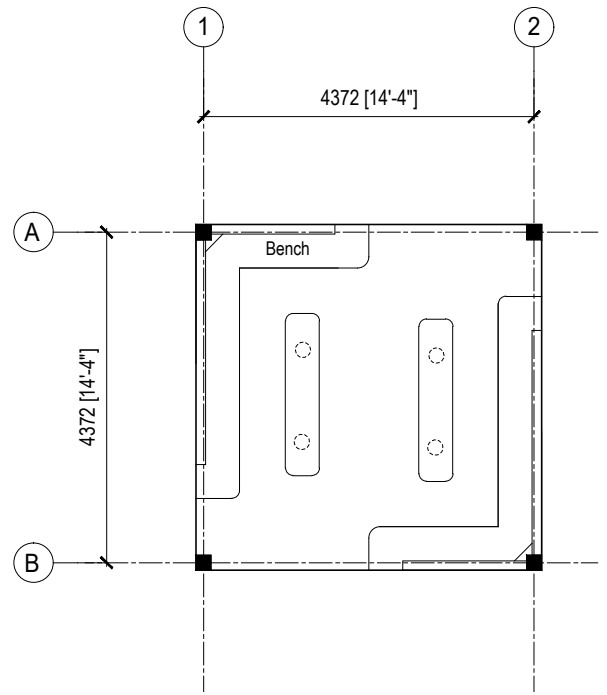


ELECTRICAL PLAN
SCALE 1:50

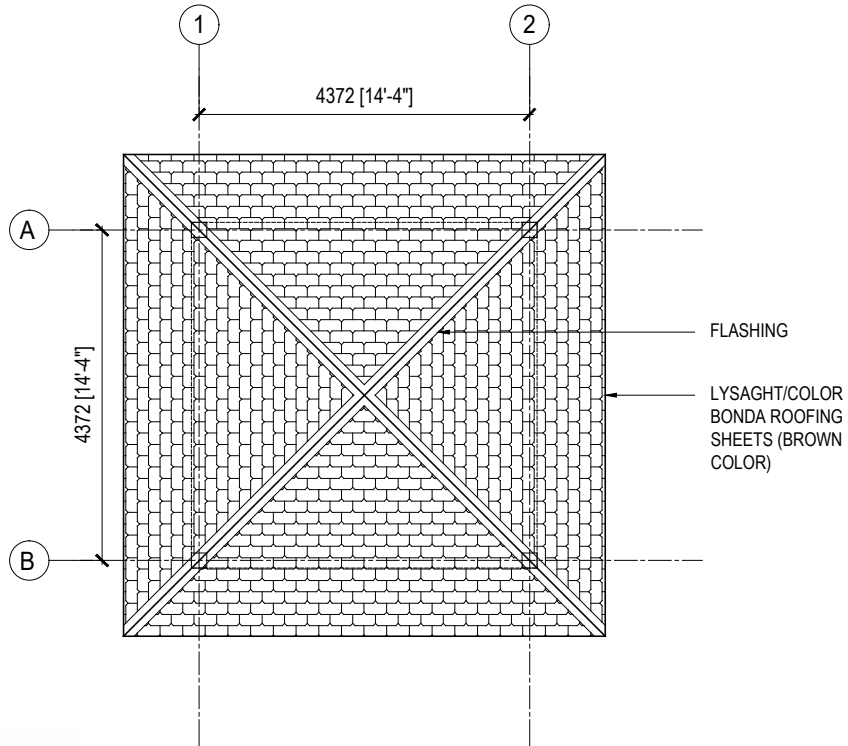
SECRETARIAT OF THE KULHUDHUFFUSHI CITY COUNCIL AMEENEE MAGU, KULHUDHUFFUSHI CITY, 02110, REP. OF MALDIVES TEL: 1621 EMAIL: info@kulhudhuffushicity.gov.mv	SHEET TITLE: HUT-1 DRAWINGS	PROJECT: BOAZIYAARAIY BEACH DEVELOPMENT	DRAWN BY: ADAM MOHAMED	DATE: 26 OCTOBER 2024	PAGE NO: 09
			CHECKED BY: IMRAN AHMED	SCALE: AS GIVEN	



GROUND FLOOR PLAN (TYPE-1)
SCALE 1:100



GROUND FLOOR PLAN (TYPE-2)
SCALE 1:100

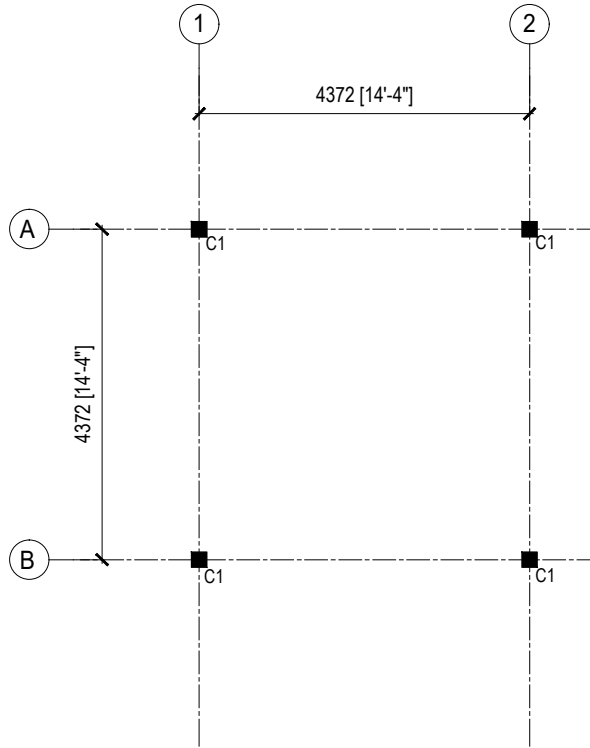


ROOF PLAN
SCALE 1:100



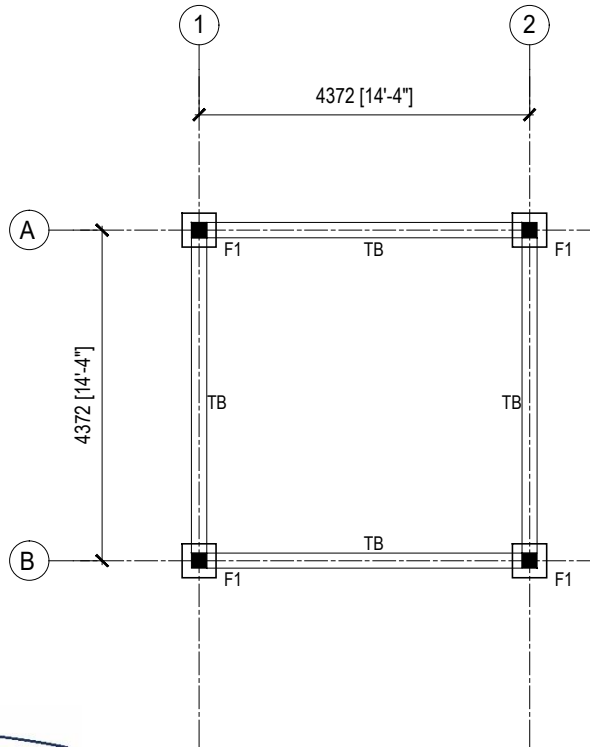
[Handwritten signature]

SECRETARIAT OF THE KULHUTHUFFUSHI CITY COUNCIL AMEENEE MAGU, KULHUTHUFFUSHI CITY, 02110, REP. OF MALDIVES TEL: 1621 EMAIL: info@kulhudhuffushicity.gov.mv	SHEET TITLE: HUT-2 DRAWINGS	PROJECT: BOAZIYAARAIY BEACH DEVELOPMENT	DRAWN BY: ADAM MOHAMED CHECKED BY: IMRAN AHMED	DATE: 26 OCTOBER 2024 SCALE: AS GIVEN	PAGE NO: 10
---	---------------------------------------	---	---	--	------------------------------



COLUMN LOCATION PLAN

SCALE 1:100



FOUNDATION PLAN

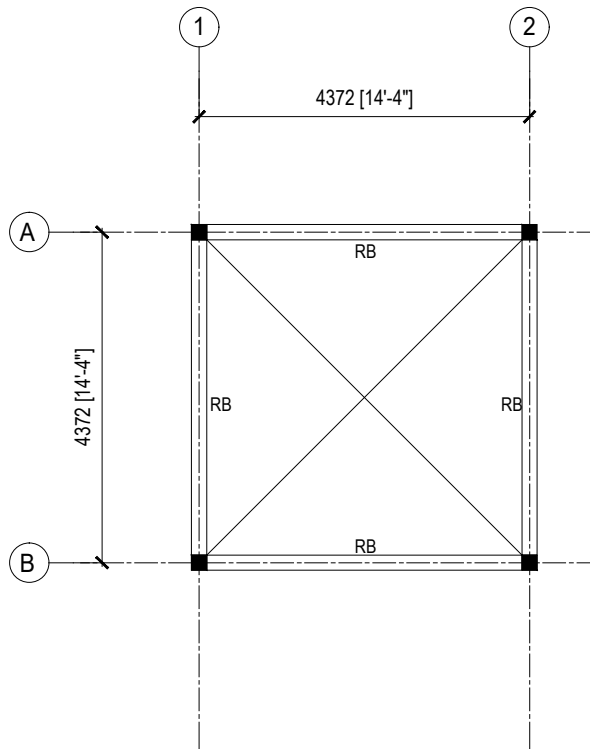
SCALE 1:100

F1-450MMX450MMX200MM [T10@150C/C BW BOTTOM]

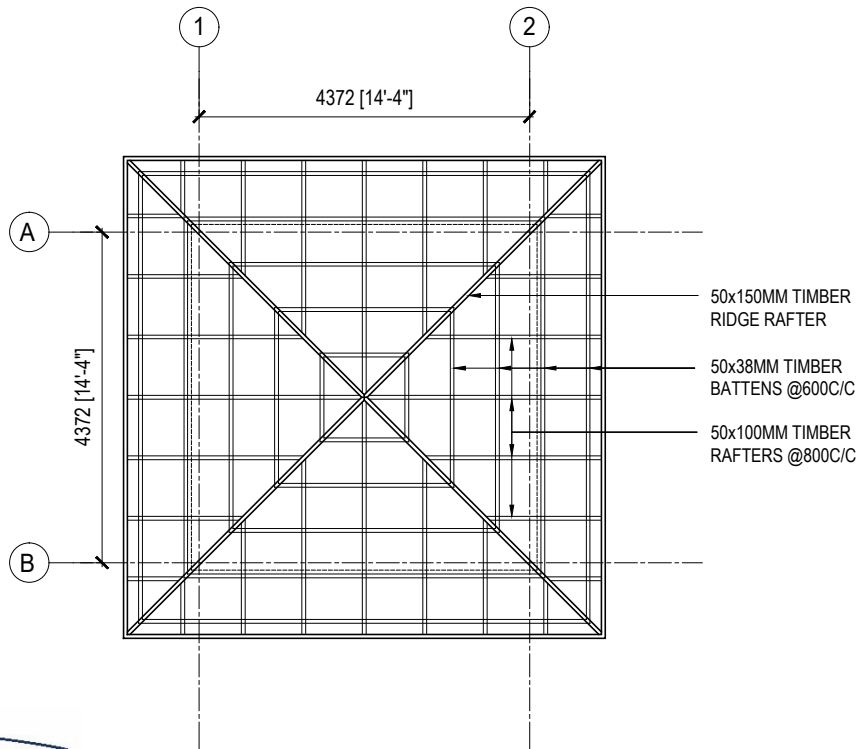
FOUNDATION DEPTH=600MM FROM NGL



<p>SECRETARIAT OF THE KULHUDHUFFUSHI CITY COUNCIL AMEENEE MAGU, KULHUDHUFFUSHI CITY, 02110, REP. OF MALDIVES TEL: 1621 EMAIL: info@kulhudhuffushicity.gov.mv</p>	<p>SHEET TITLE: HUT-2 DRAWINGS</p>	<p>PROJECT: BOAZIYAARAIY BEACH DEVELOPMENT</p>	<p>DRAWN BY: ADAM MOHAMED</p> <p>CHECKED BY: IMRAN AHMED</p>	<p>DATE: 26 OCTOBER 2024</p> <p>SCALE: AS GIVEN</p>	<p>PAGE NO: 11</p>
--	---	---	--	---	--------------------------------------



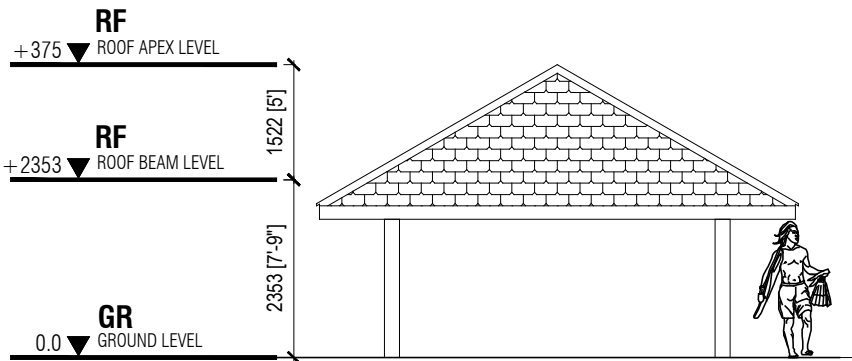
ROOF BEAM PLAN
SCALE 1:100



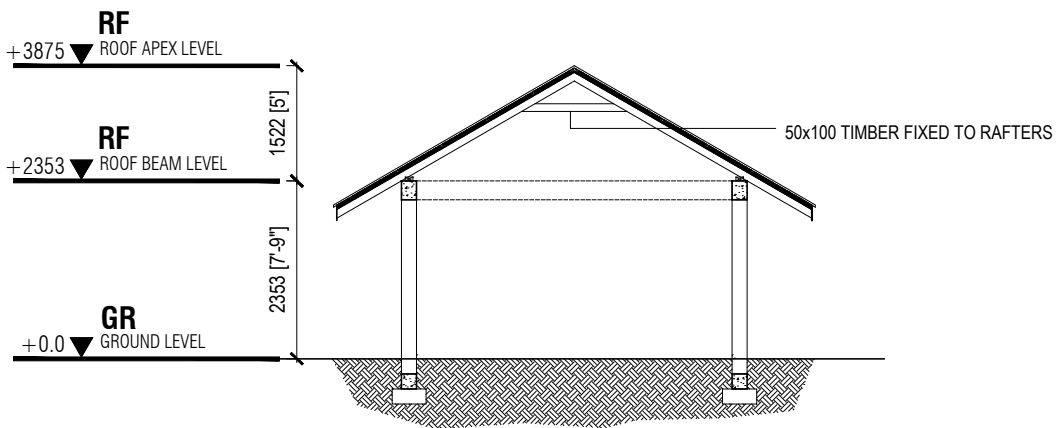
ROOF FRAMING PLAN
SCALE 1:100



SECRETARIAT OF THE KULHUTHUFFUSHI CITY COUNCIL AMEENEE MAGU, KULHUTHUFFUSHI CITY, 02110, REP. OF MALDIVES TEL: 1621 EMAIL: info@kulhudhuffushicity.gov.mv	SHEET TITLE: HUT-2 DRAWINGS	PROJECT: BOAZIYAARAIY BEACH DEVELOPMENT	DRAWN BY: ADAM MOHAMED	DATE: 26 OCTOBER 2024	PAGE NO:
			CHECKED BY: IMRAN AHMED	SCALE: AS GIVEN	12



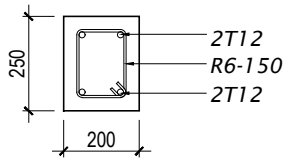
ELEVATION
SCALE 1:100



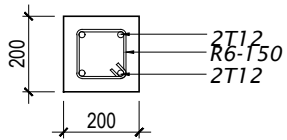
SECTION
SCALE 1:100



SECRETARIAT OF THE KULHUDHUFFUSHI CITY COUNCIL AMEENEE MAGU, KULHUDHUFFUSHI CITY, 02110, REP. OF MALDIVES TEL: 1621 EMAIL: info@kulhudhuffushicity.gov.mv	SHEET TITLE: HUT-2 DRAWINGS	PROJECT: BOAZIYAARAIY BEACH DEVELOPMENT	DRAWN BY: ADAM MOHAMED CHECKED BY: IMRAN AHMED	DATE: 26 OCTOBER 2024 SCALE: AS GIVEN	PAGE NO: 13
---	---------------------------------------	---	---	--	------------------------------



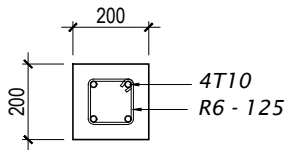
B1



TB

BEAM DETAILS

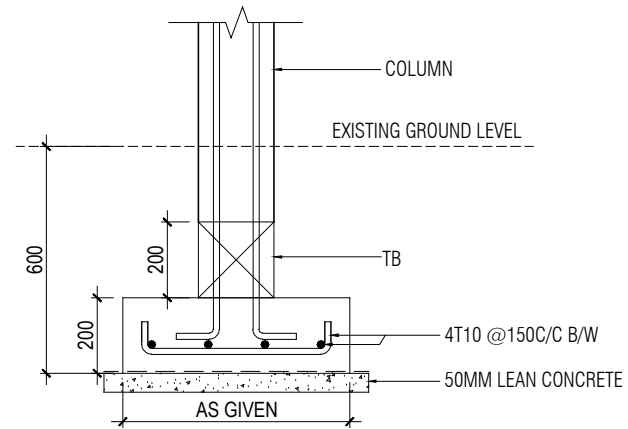
SCALE 1:20



C1

COLUMN DETAILS

SCALE 1:20



FOUNDATION PAD DETAIL

SCALE 1:20



<p>SECRETARIAT OF THE KULHUDHUFFUSHI CITY COUNCIL AMEENEE MAGU, KULHUDHUFFUSHI CITY, 02110, REP. OF MALDIVES TEL: 1621 EMAIL: info@kulhudhuffushicity.gov.mv</p>	<p>SHEET TITLE: HUT-2 DRAWINGS</p>	<p>PROJECT: BOAZIYAARAIY BEACH DEVELOPMENT</p>	<p>DRAWN BY: ADAM MOHAMED</p> <p>CHECKED BY: IMRAN AHMED</p>	<p>DATE: 26 OCTOBER 2024</p> <p>SCALE: AS GIVEN</p>	<p>PAGE NO: 14</p>
--	--	--	--	---	---------------------------------------

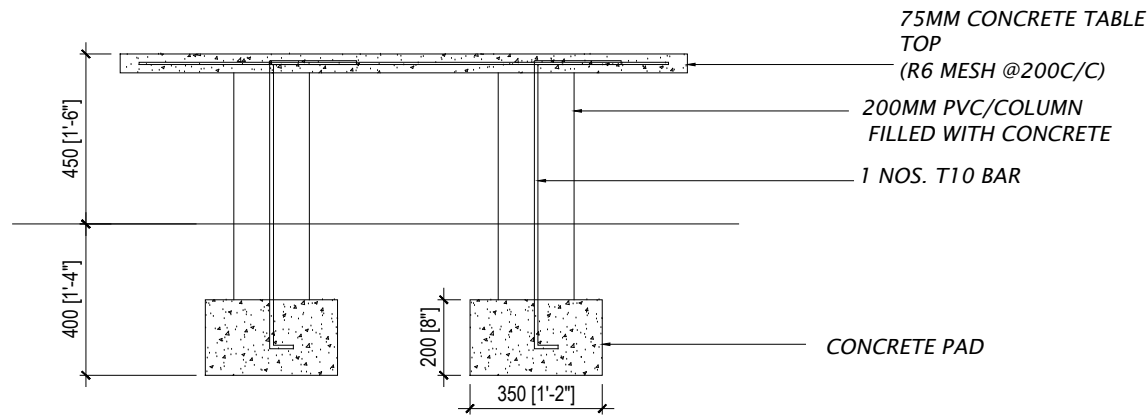
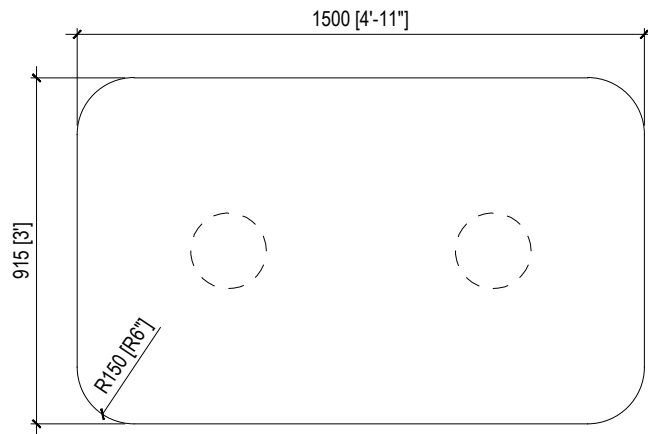


TABLE DETAILS (TYPE-1)
SCALE 1:20



SECRETARIAT OF THE KULHUDHUFFUSHI CITY COUNCIL AMEENEE MAGU, KULHUDHUFFUSHI CITY, 02110, REP. OF MALDIVES TEL: 1621 EMAIL: info@kulhudhuffushicity.gov.mv	SHEET TITLE: HUT-2 DRAWINGS	PROJECT: BOAZIYAARAIY BEACH DEVELOPMENT	DRAWN BY: ADAM MOHAMED	DATE: 26 OCTOBER 2024	PAGE NO: 15
			CHECKED BY: IMRAN AHMED	SCALE: AS GIVEN	

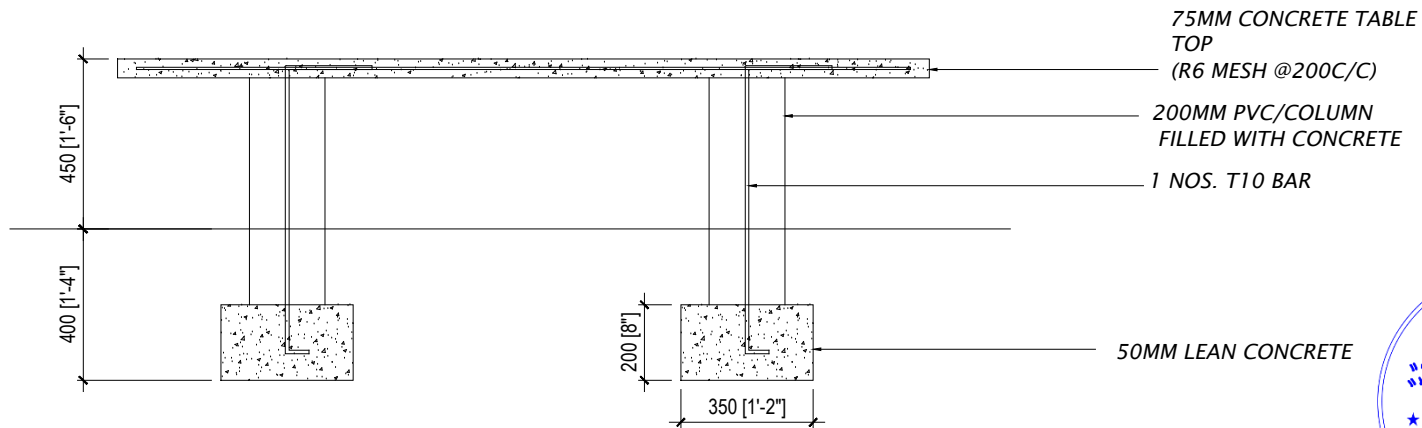
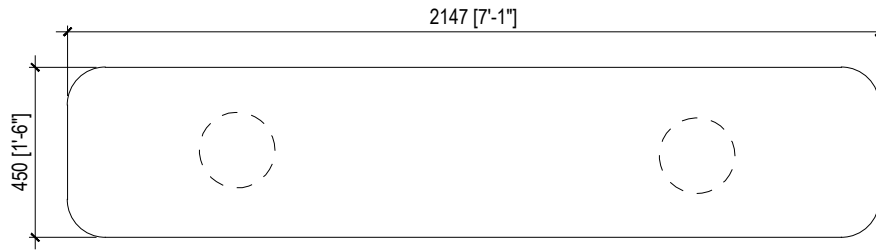
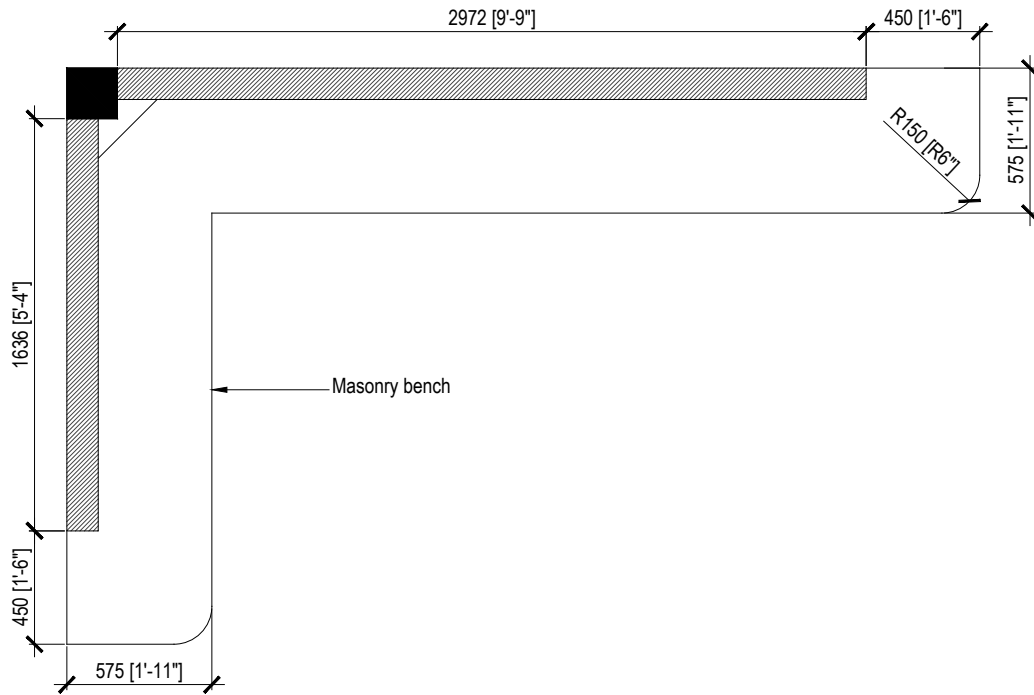


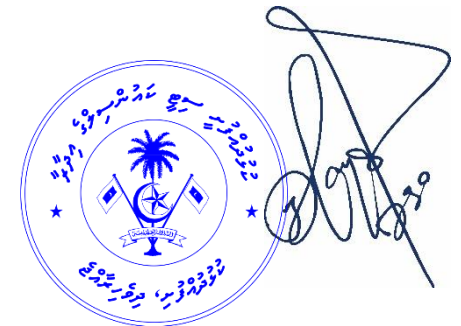
TABLE DETAILS (TYPE-2)
SCALE 1:20



SECRETARIAT OF THE KULHUDHUFFUSHI CITY COUNCIL AMEENEE MAGU, KULHUDHUFFUSHI CITY, 02110, REP. OF MALDIVES TEL: 1621 EMAIL: info@kulhudhuffushicity.gov.mv	SHEET TITLE: HUT-2 DRAWINGS	PROJECT: BOAZIYAARAIY BEACH DEVELOPMENT	DRAWN BY: ADAM MOHAMED	DATE: 26 OCTOBER 2024	PAGE NO: 16
			CHECKED BY: IMRAN AHMED	SCALE: AS GIVEN	



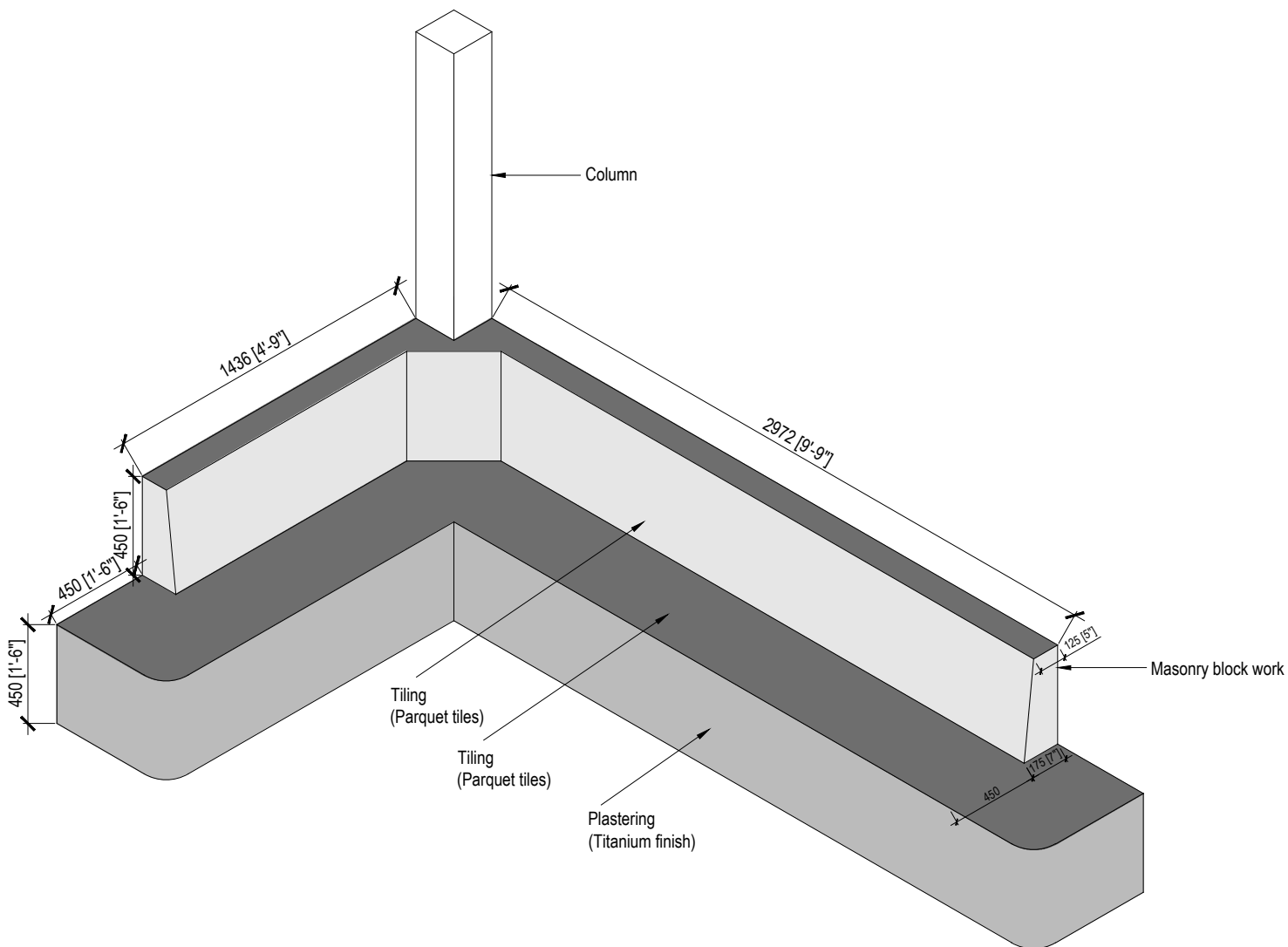
BENCH DETAILS
SCALE 1:20



SECRETARIAT OF THE KULHUDHUFFUSHI CITY COUNCIL AMEENEE MAGU, KULHUDHUFFUSHI CITY, 02110, REP. OF MALDIVES TEL: 1621 EMAIL: info@kulhudhuffushicity.gov.mv	SHEET TITLE: HUT-2 DRAWINGS	PROJECT: BOAZIYAARAIY BEACH DEVELOPMENT	DRAWN BY: ADAM MOHAMED	DATE: 26 OCTOBER 2024	PAGE NO: 17
			CHECKED BY: IMRAN AHMED	SCALE: AS GIVEN	

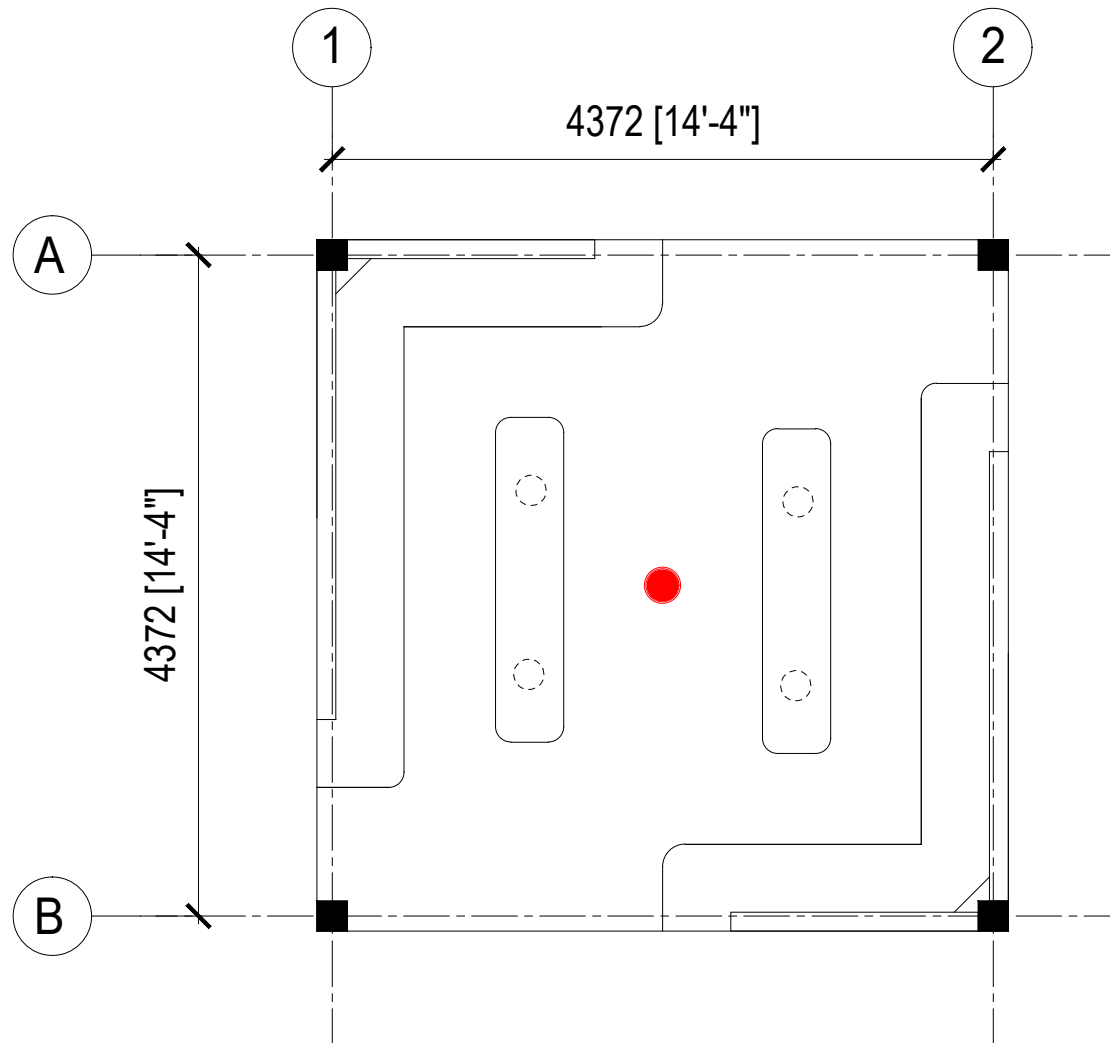


[Handwritten signature]



BENCH DETAILS
SCALE 1:20

SECRETARIAT OF THE KULHUDHUFFUSHI CITY COUNCIL AMEENEE MAGU, KULHUDHUFFUSHI CITY, 02110, REP. OF MALDIVES TEL: 1621 EMAIL: info@kulhudhuffushicity.gov.mv	SHEET TITLE: HUT-2 DRAWINGS	PROJECT: BOAZIYAARAIY BEACH DEVELOPMENT	DRAWN BY: ADAM MOHAMED	DATE: 26 OCTOBER 2024	PAGE NO: 18
			CHECKED BY: IMRAN AHMED	SCALE: AS GIVEN	



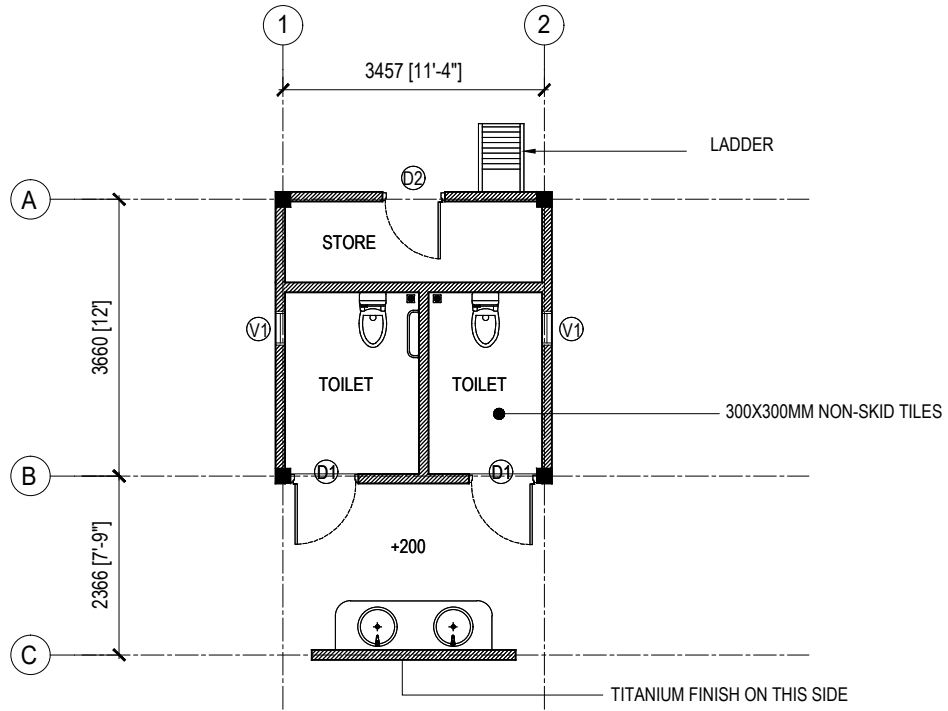
SYMBOL	DESCRIPTION
● C1	SURFACE MOUNT LIGHT (WARM) (TO BE APPROVED BY COUNCIL)



ELECTRICAL PLAN
SCALE 1:20

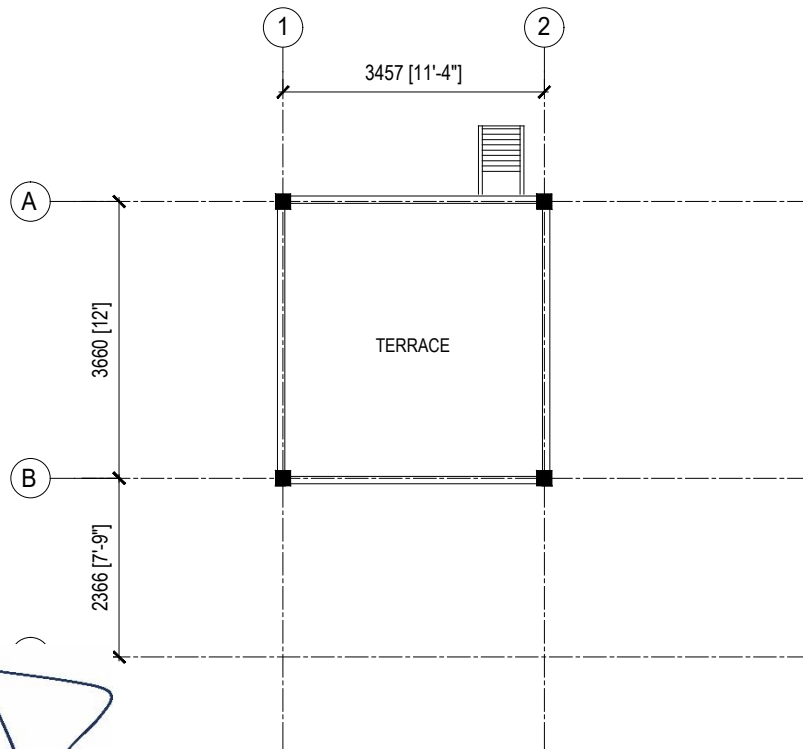
SECRETARIAT OF THE KULHUDHUFFUSHI CITY COUNCIL AMEENEE MAGU, KULHUDHUFFUSHI CITY, 02110, REP. OF MALDIVES TEL: 1621 EMAIL: info@kulhudhuffushicity.gov.mv	SHEET TITLE: HUT-2 DRAWINGS	PROJECT: BOAZIYAARAIY BEACH DEVELOPMENT	DRAWN BY: ADAM MOHAMED	DATE: 26 OCTOBER 2024	PAGE NO: 19
			CHECKED BY: IMRAN AHMED	SCALE: AS GIVEN	

TOILET
 FLOOR FINISH:
300X300MM NON-SKID TILES
 WALL FINISH:
300X600MM PORCELAIN TILES



GROUND FLOOR PLAN
 SCALE 1:100

130MM HOLLOW BLOCK WALL
 12MM PLASTERING ON BOTH SIDES
 300X600 PORCELAIN TILES ON BOTH SIDES

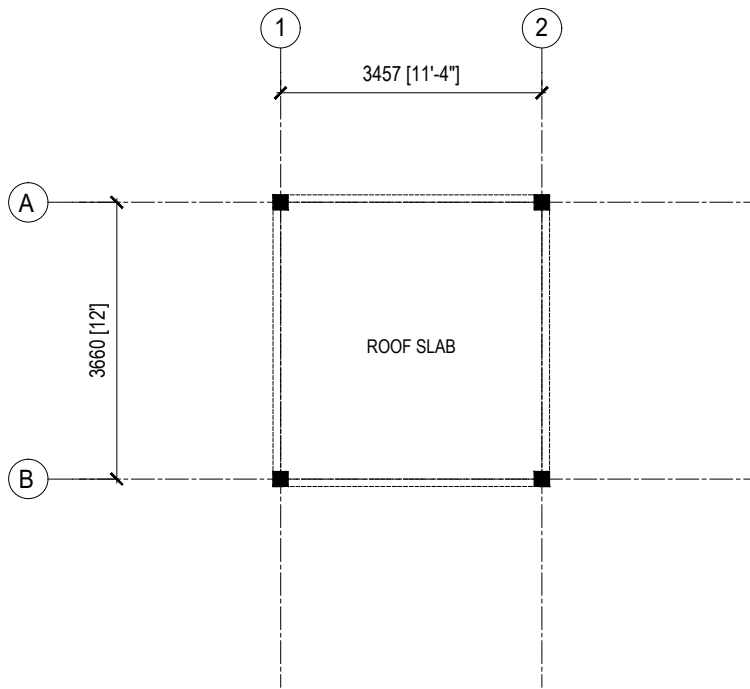


FIRST FLOOR PLAN
 SCALE 1:100

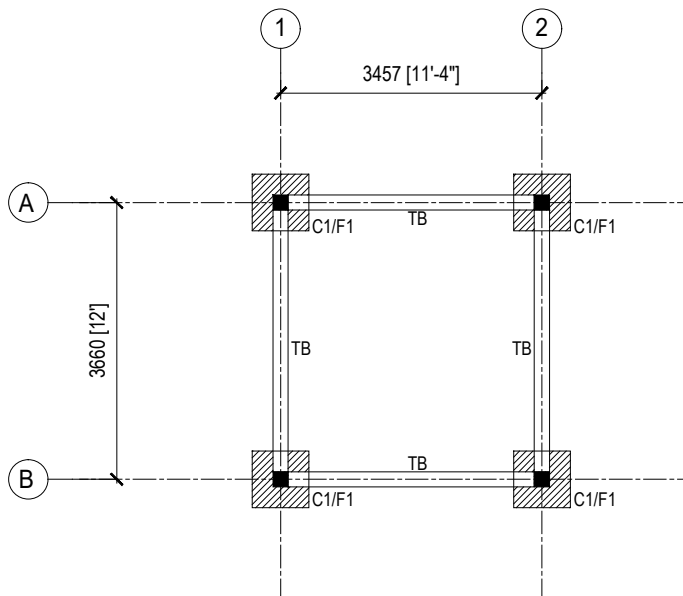
TERRACE
 FLOOR FINISH:
150/200 X 1200MM NON-SKID TILES



[Handwritten signature]



ROOF SLAB PLAN
SCALE 1:100

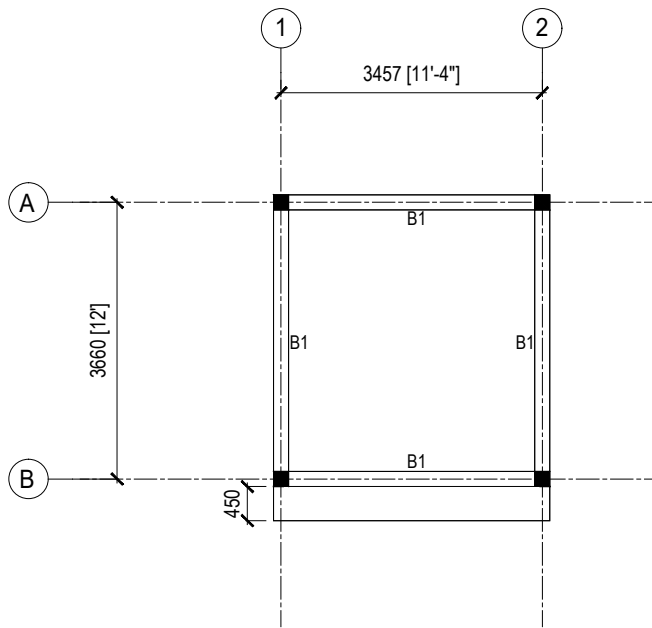


FOUNDATION PLAN
SCALE 1:100

F1-750X750X200 (T10@150C/C B/W BOTTOM)
FOUNDATION DEPTH=800MM FROM NGL.



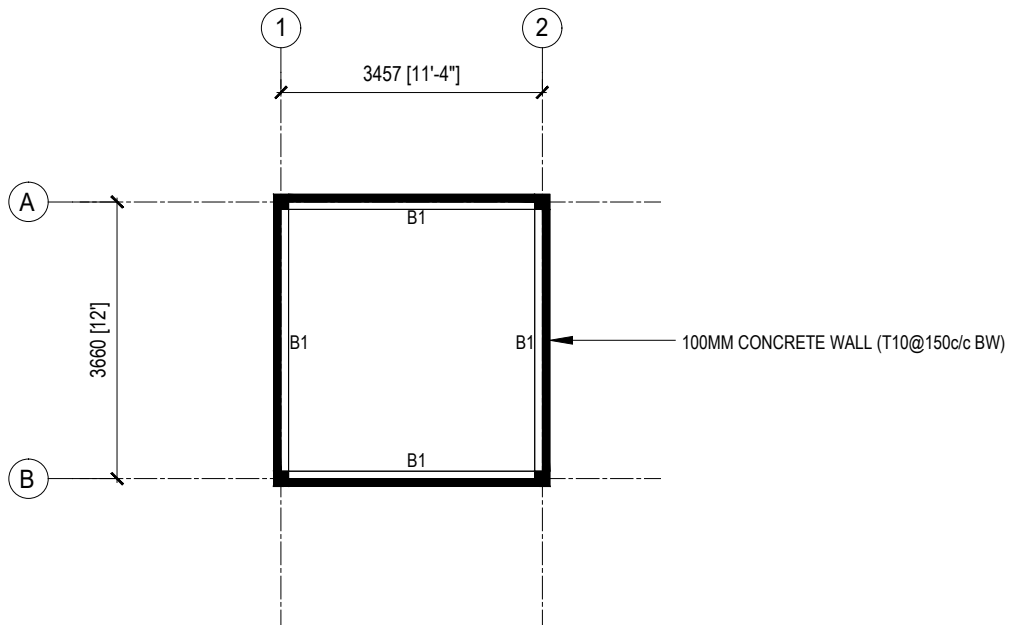
SECRETARIAT OF THE KULHUDHUFFUSHI CITY COUNCIL AMEENEE MAGU, KULHUDHUFFUSHI CITY, 02110, REP. OF MALDIVES TEL: 1621 EMAIL: info@kulhudhuffushicity.gov.mv	SHEET TITLE: TOILET BLOCK DRAWINGS	PROJECT: BOAZIYAARAIY BEACH DEVELOPMENT	DRAWN BY: ADAM MOHAMED CHECKED BY: IMRAN AHMED	DATE: 26 OCTOBER 2024 SCALE: AS GIVEN	PAGE NO: 21
---	--	---	---	--	------------------------------



1ST FLOOR BEAM/SLAB PLAN

SCALE 1:100

SLAB THICKNESS=130MM
T10@150 C/C BW TOP & BOTTOM

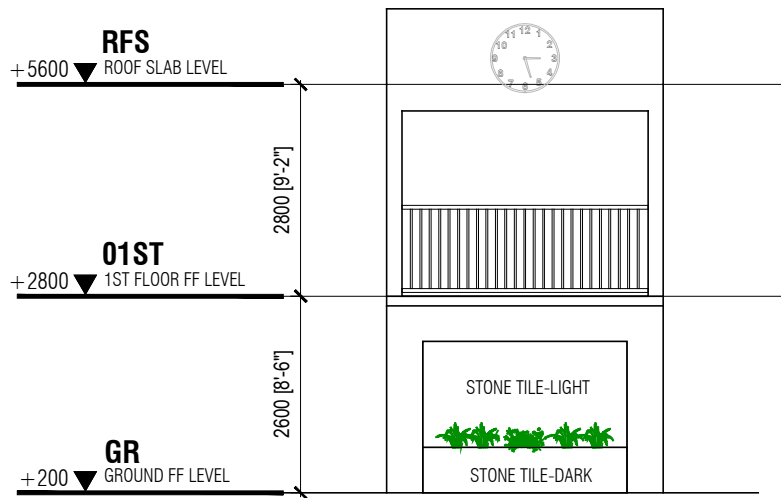


ROOF BEAM/SLAB PLAN

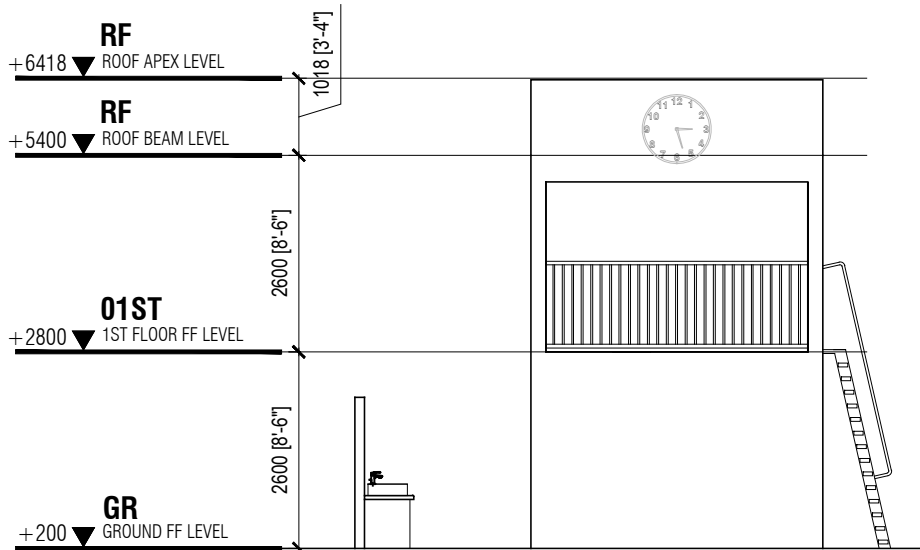
SCALE 1:100

SLAB THICKNESS=130MM
T10@150 C/C BW TOP & BOTTOM





FRONT ELEVATION
SCALE 1:100

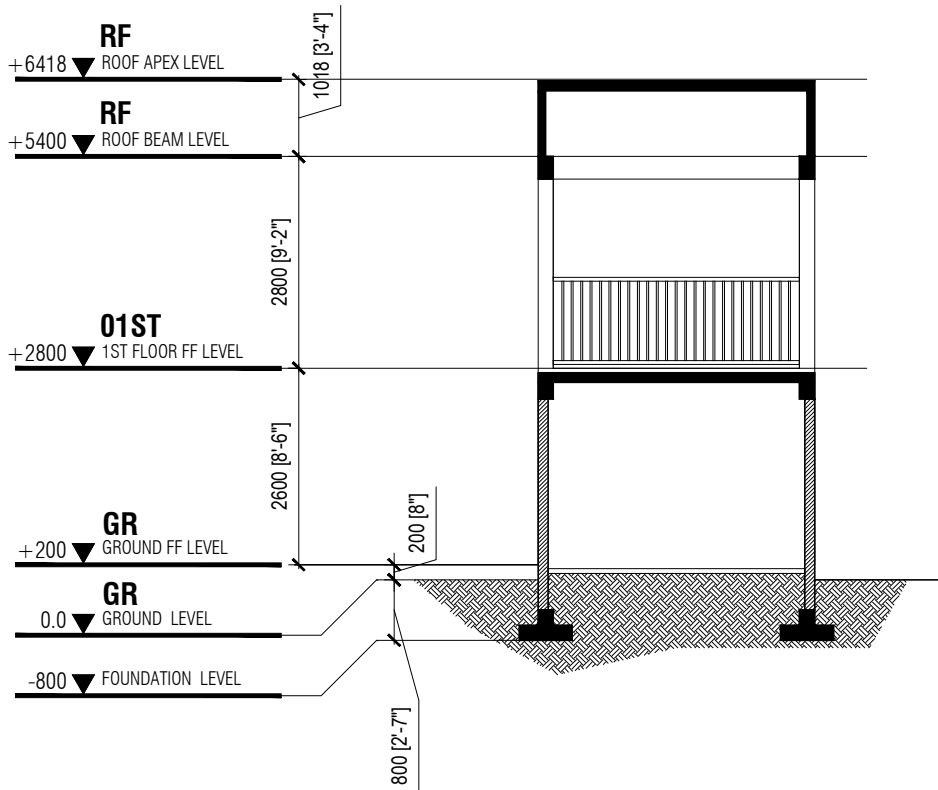


SIDE ELEVATION
SCALE 1:100

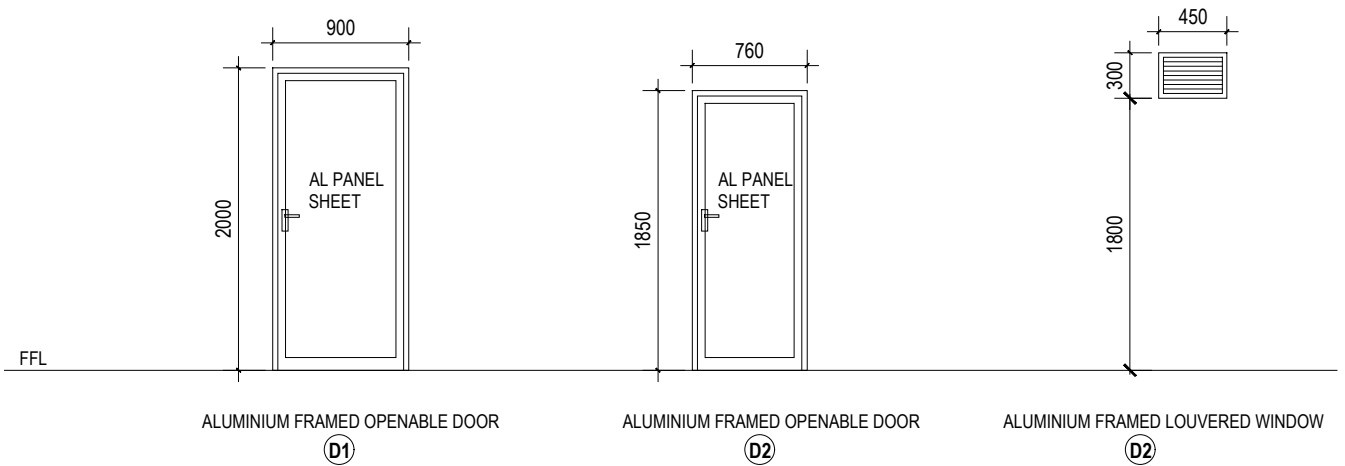


[Handwritten signature]

<p>SECRETARIAT OF THE KULHUDHUFFUSHI CITY COUNCIL AMEENEE MAGU, KULHUDHUFFUSHI CITY, 02110, REP. OF MALDIVES TEL: 1621 EMAIL: info@kulhudhuffushicity.gov.mv</p>	<p>SHEET TITLE: TOILET BLOCK DRAWINGS</p>	<p>PROJECT: BOAZIYAARAIY BEACH DEVELOPMENT</p>	<p>DRAWN BY: ADAM MOHAMED</p> <p>CHECKED BY: IMRAN AHMED</p>	<p>DATE: 26 OCTOBER 2024</p> <p>SCALE: AS GIVEN</p>	<p>PAGE NO: 23</p>
--	--	---	--	---	--------------------------------------



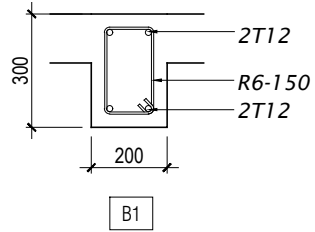
SECTION-X
SCALE 1:100



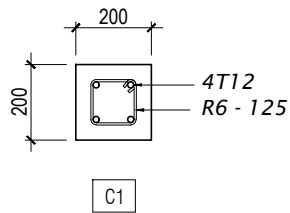
DOOR DETAILS
SCALE 1:100



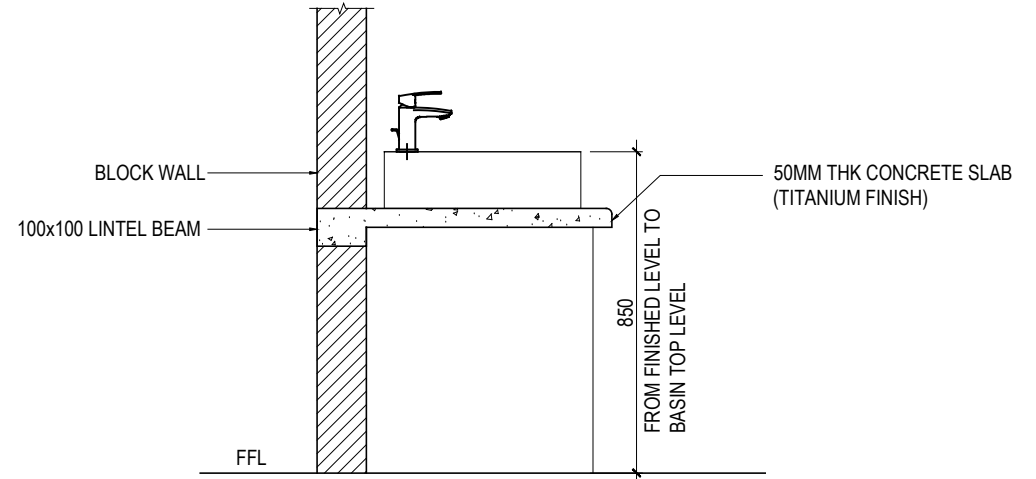
SECRETARIAT OF THE KULHUDHUFFUSHI CITY COUNCIL AMEENEE MAGU, KULHUDHUFFUSHI CITY, 02110, REP. OF MALDIVES TEL: 1621 EMAIL: info@kulhudhuffushicity.gov.mv	SHEET TITLE: TOILET BLOCK DRAWINGS	PROJECT: BOAZIYAARAIY BEACH DEVELOPMENT	DRAWN BY: ADAM MOHAMED CHECKED BY: IMRAN AHMED	DATE: 26 OCTOBER 2024 SCALE: AS GIVEN	PAGE NO: 24
---	--	---	---	--	-----------------------



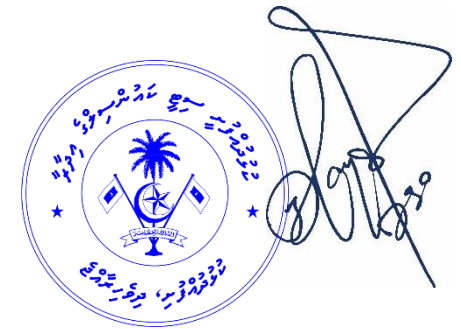
BEAM DETAILS
SCALE 1:20



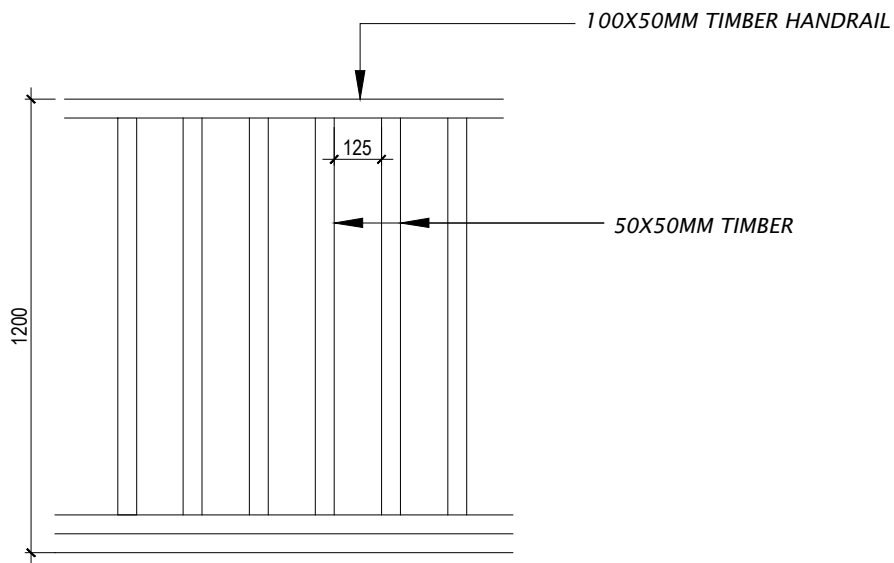
COLUMN DETAILS
SCALE 1:20



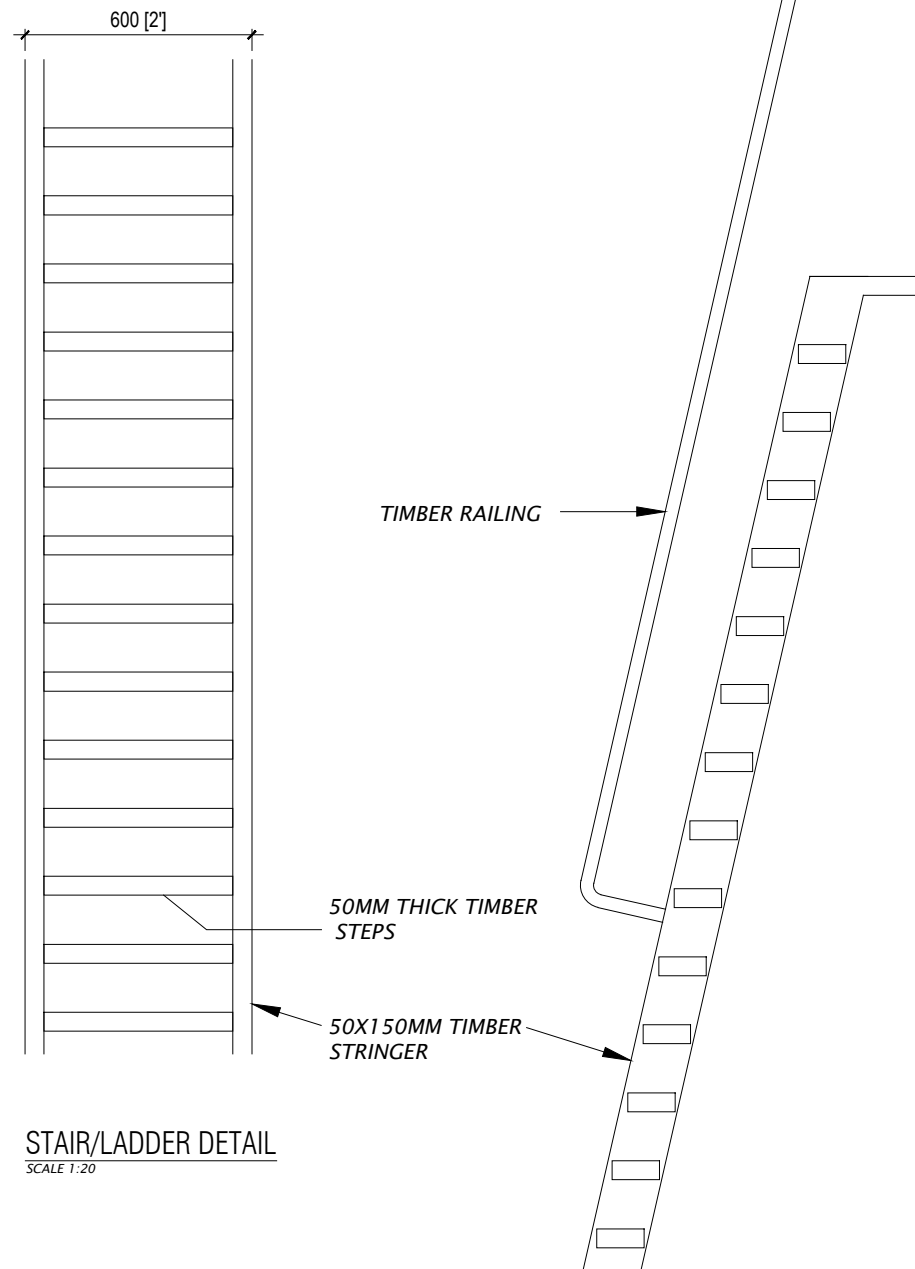
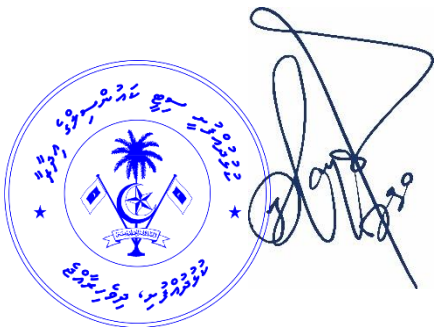
WASH BASIN COUNTER DETAILS
SCALE 1:20



SECRETARIAT OF THE KULHUDHUFFUSHI CITY COUNCIL AMEENEE MAGU, KULHUDHUFFUSHI CITY, 02110, REP. OF MALDIVES TEL: 1621 EMAIL: info@kulhudhuffushicity.gov.mv	SHEET TITLE: TOILET BLOCK DRAWINGS	PROJECT: BOAZIYAARAIY BEACH DEVELOPMENT	DRAWN BY: ADAM MOHAMED	DATE: 26 OCTOBER 2024	PAGE NO: 25
			CHECKED BY: IMRAN AHMED	SCALE: AS GIVEN	

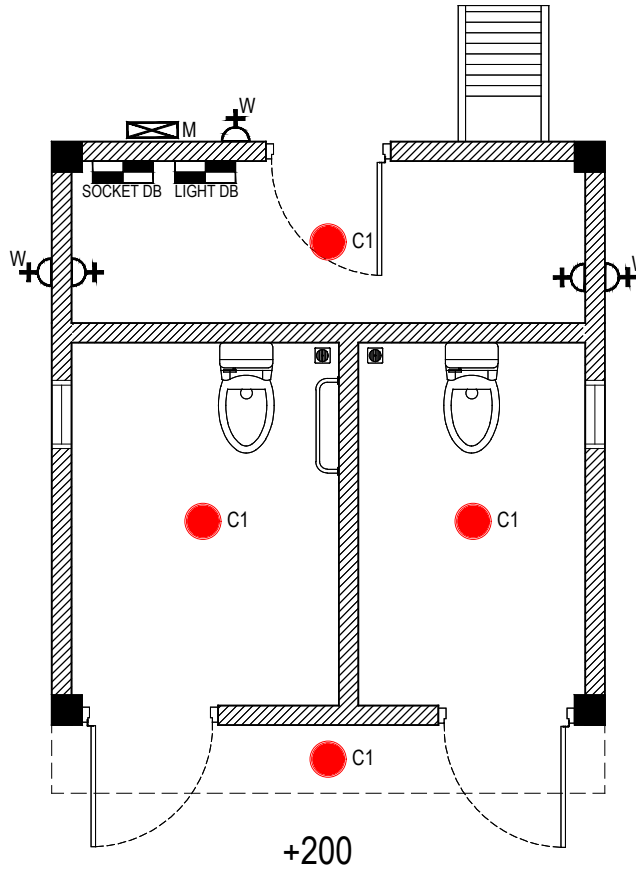


RAILING DETAIL
SCALE 1:20



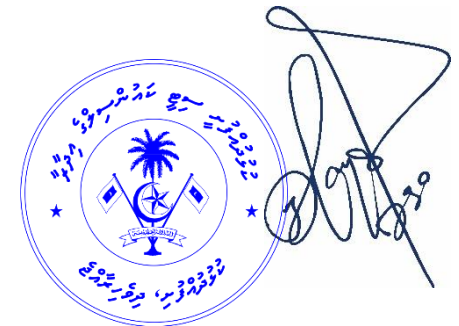
STAIR/LADDER DETAIL
SCALE 1:20

<p>SECRETARIAT OF THE KULHUDHUFFUSHI CITY COUNCIL AMEENEE MAGU, KULHUDHUFFUSHI CITY, 02110, REP. OF MALDIVES TEL: 1621 EMAIL: info@kulhudhuffushicity.gov.mv</p>	<p>SHEET TITLE: TOILET BLOCK DRAWINGS</p>	<p>PROJECT: BOAZIYAARAIY BEACH DEVELOPMENT</p>	<p>DRAWN BY: ADAM MOHAMED</p> <p>CHECKED BY: IMRAN AHMED</p>	<p>DATE: 26 OCTOBER 2024</p> <p>SCALE: AS GIVEN</p>	<p>PAGE NO: 26</p>
--	--	---	--	---	--------------------------------------

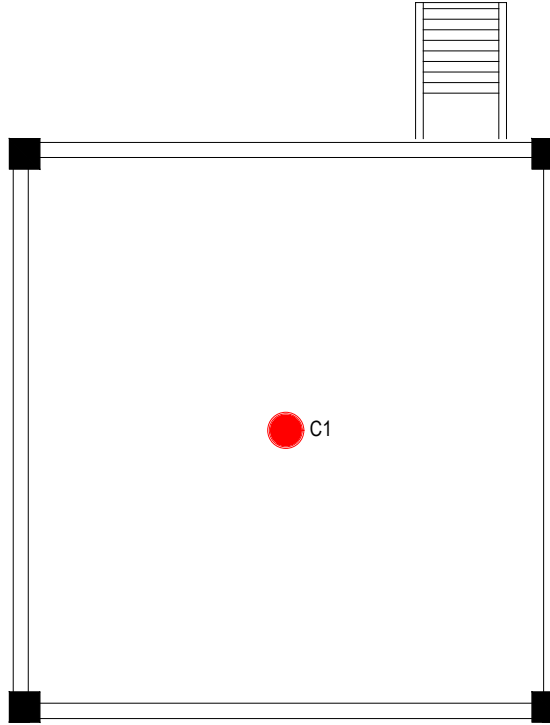


SYMBOL	DESCRIPTION
	SURFACE MOUNT LIGHT (WARM) (TO BE APPROVED BY COUNCIL)
	DISTRIBUTION BOARD
	SINGLE GANG POWER SOCKET
	HOUSE METER (3-PHASE)
	SINGLE GANG POWER SOCKET (WATER PROOF)

ELECTRICAL PLAN- GROUND FLOOR
SCALE 1:50

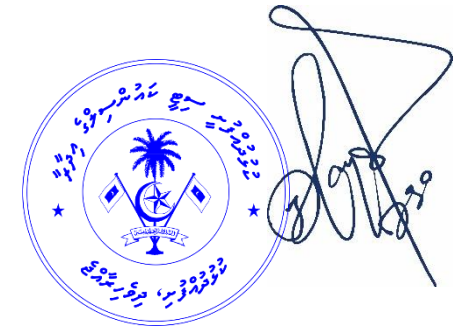


SECRETARIAT OF THE KULHUDHUFFUSHI CITY COUNCIL AMEENEE MAGU, KULHUDHUFFUSHI CITY, 02110, REP. OF MALDIVES TEL: 1621 EMAIL: info@kulhudhuffushicity.gov.mv	SHEET TITLE: TOILET BLOCK DRAWINGS	PROJECT: BOAZIYAARAIY BEACH DEVELOPMENT	DRAWN BY: ADAM MOHAMED	DATE: 26 OCTOBER 2024	PAGE NO: 27
			CHECKED BY: IMRAN AHMED	SCALE: AS GIVEN	

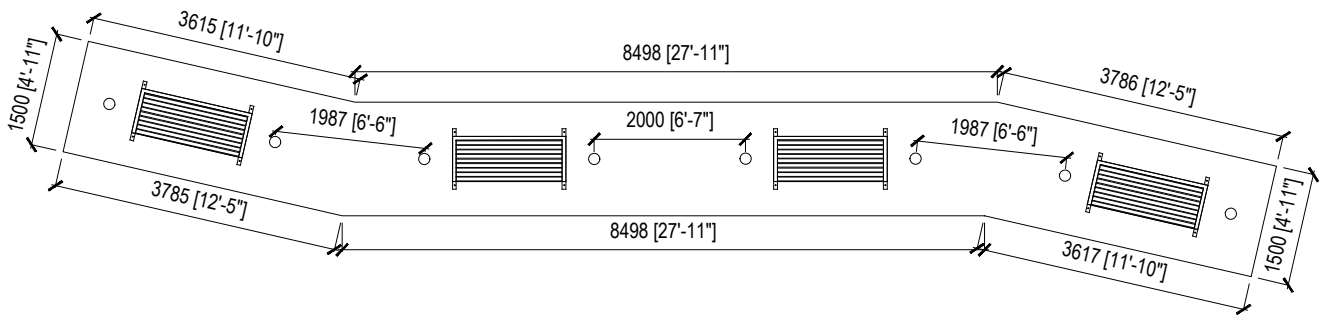


SYMBOL	DESCRIPTION
● C1	SURFACE MOUNT LIGHT (WARM) (TO BE APPROVED BY COUNCIL)

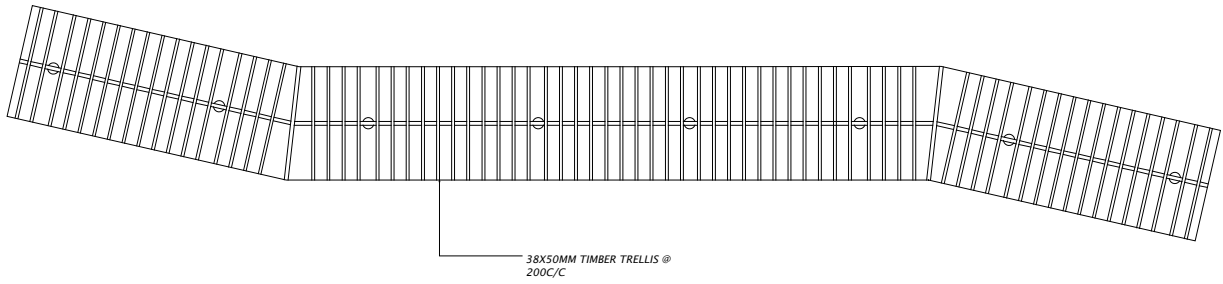
ELECTRICAL PLAN- FIRST FLOOR
SCALE 1:50



SECRETARIAT OF THE KULHUDHUFFUSHI CITY COUNCIL AMEENEE MAGU, KULHUDHUFFUSHI CITY, 02110, REP. OF MALDIVES TEL: 1621 EMAIL: info@kulhudhuffushicity.gov.mv	SHEET TITLE: TOILET BLOCK DRAWINGS	PROJECT: BOAZIYAARAIY BEACH DEVELOPMENT	DRAWN BY: ADAM MOHAMED	DATE: 26 OCTOBER 2024	PAGE NO: 28
			CHECKED BY: IMRAN AHMED	SCALE: AS GIVEN	



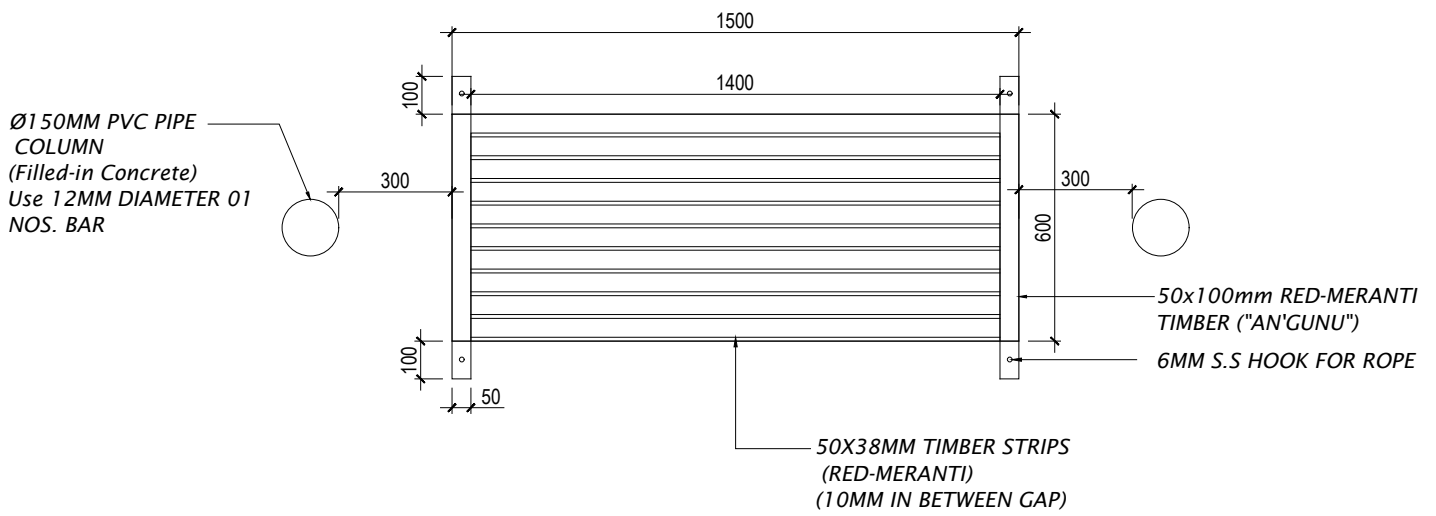
UNDHOALI SETTING-OUT PLAN
SCALE 1:100



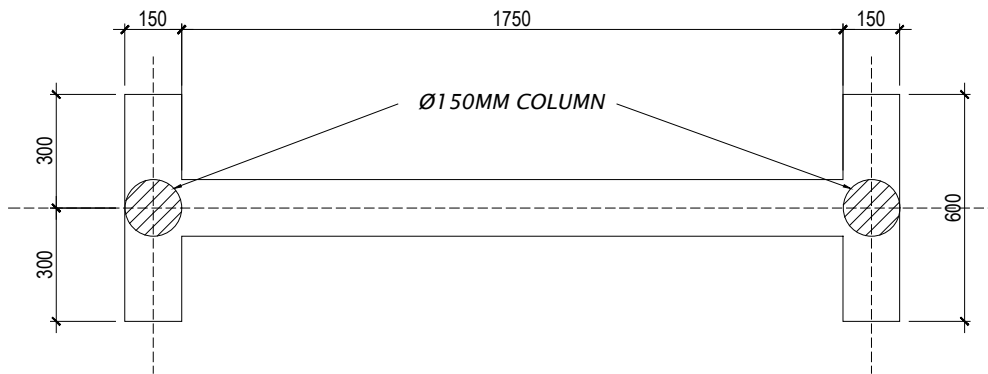
UNDHOALI TRELLIS PLAN
SCALE 1:100



SECRETARIAT OF THE KULHUTHUFFUSHI CITY COUNCIL AMEENEE MAGU, KULHUTHUFFUSHI CITY, 02110, REP. OF MALDIVES TEL: 1621 EMAIL: info@kulhudhuffushicity.gov.mv	SHEET TITLE: UNDHOALI DRAWINGS	PROJECT: BOAZIYAARAIY BEACH DEVELOPMENT	DRAWN BY: ADAM MOHAMED CHECKED BY: IMRAN AHMED	DATE: 26 OCTOBER 2024 SCALE: AS GIVEN	PAGE NO: 29
---	--	---	---	--	------------------------------



UNDHOALI- TOP VIEW
SCALE 1:20

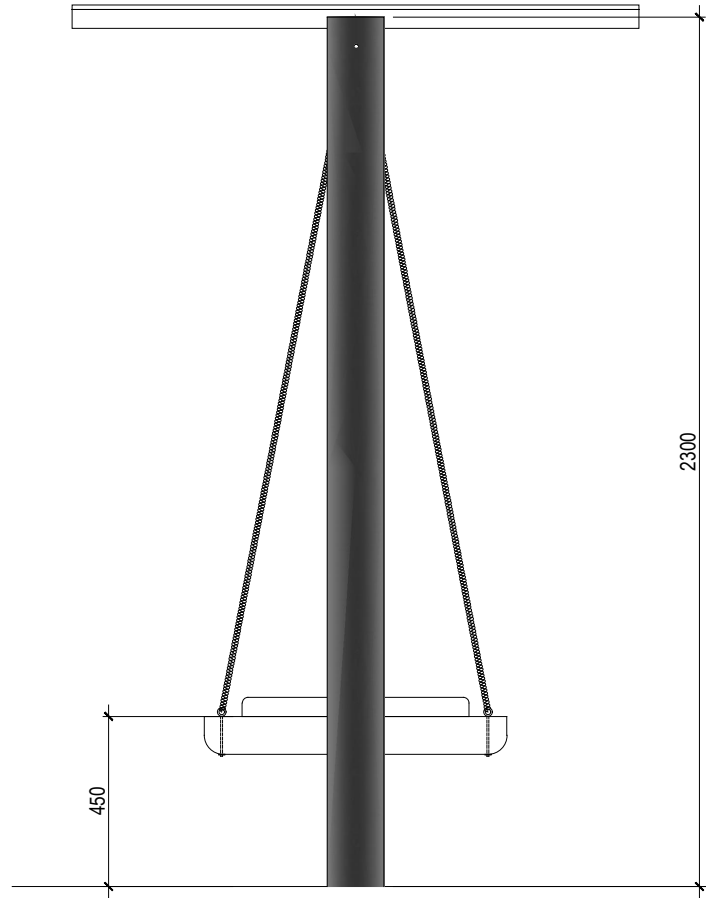


ALL BEAMS- SIZE=150X150MM
USE T10 BARS (ONE BAR)
FOUNDATION DEPTH=750MM FROM NGL

UNDHOALI FOUNDATION- PLAN
SCALE 1:20



SECRETARIAT OF THE KULHUDHUFFUSHI CITY COUNCIL AMEENEE MAGU, KULHUDHUFFUSHI CITY, 02110, REP. OF MALDIVES TEL: 1621 EMAIL: info@kulhudhuffushicity.gov.mv	SHEET TITLE: UNDHOALI DRAWINGS	PROJECT: BOAZIYAARAIY BEACH DEVELOPMENT	DRAWN BY: ADAM MOHAMED CHECKED BY: IMRAN AHMED	DATE: 26 OCTOBER 2024 SCALE: AS GIVEN	PAGE NO: 30
---	--	---	---	--	------------------------------

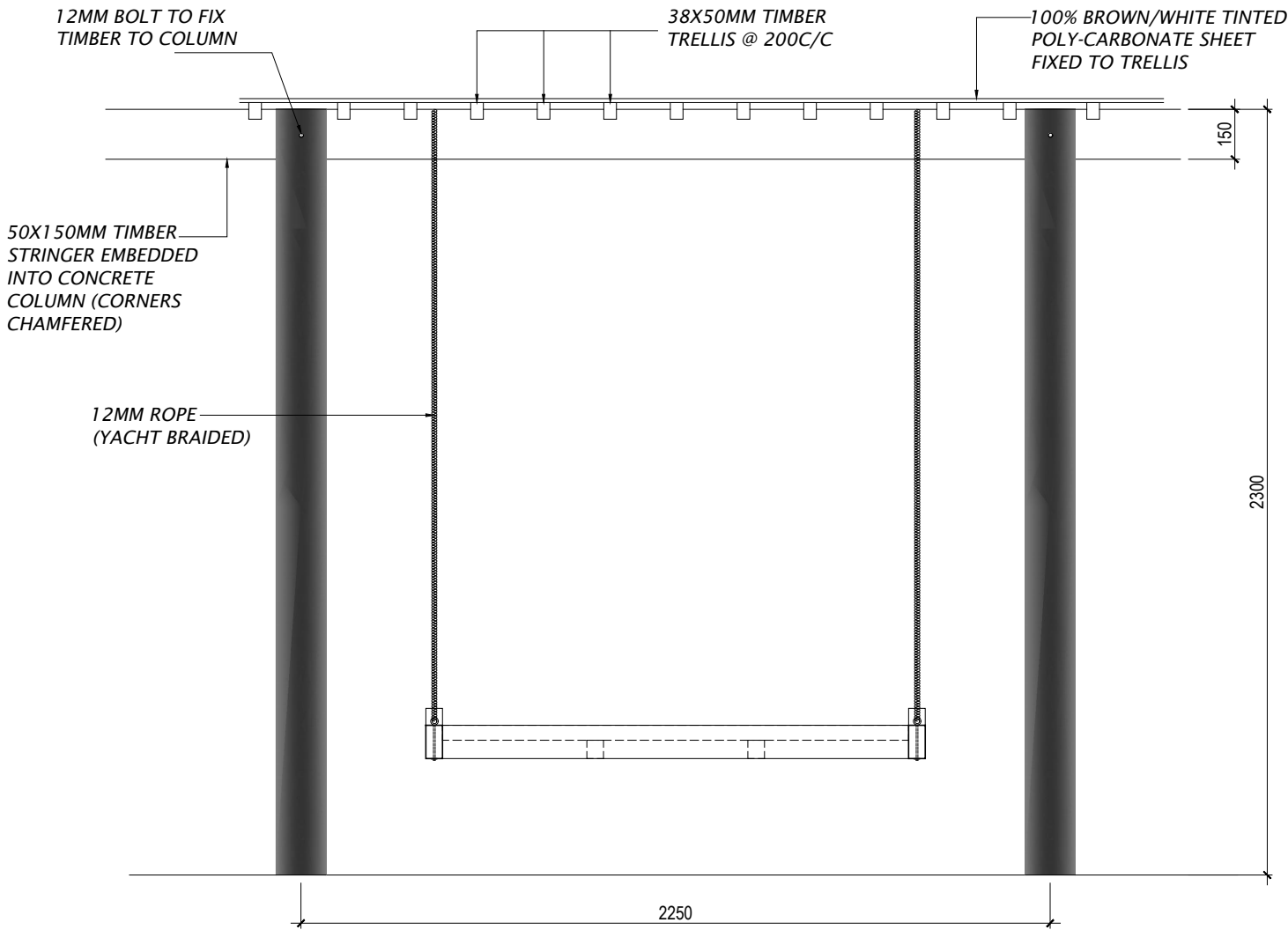


UNDHOALI SIDE ELEVATION

SCALE 1:20



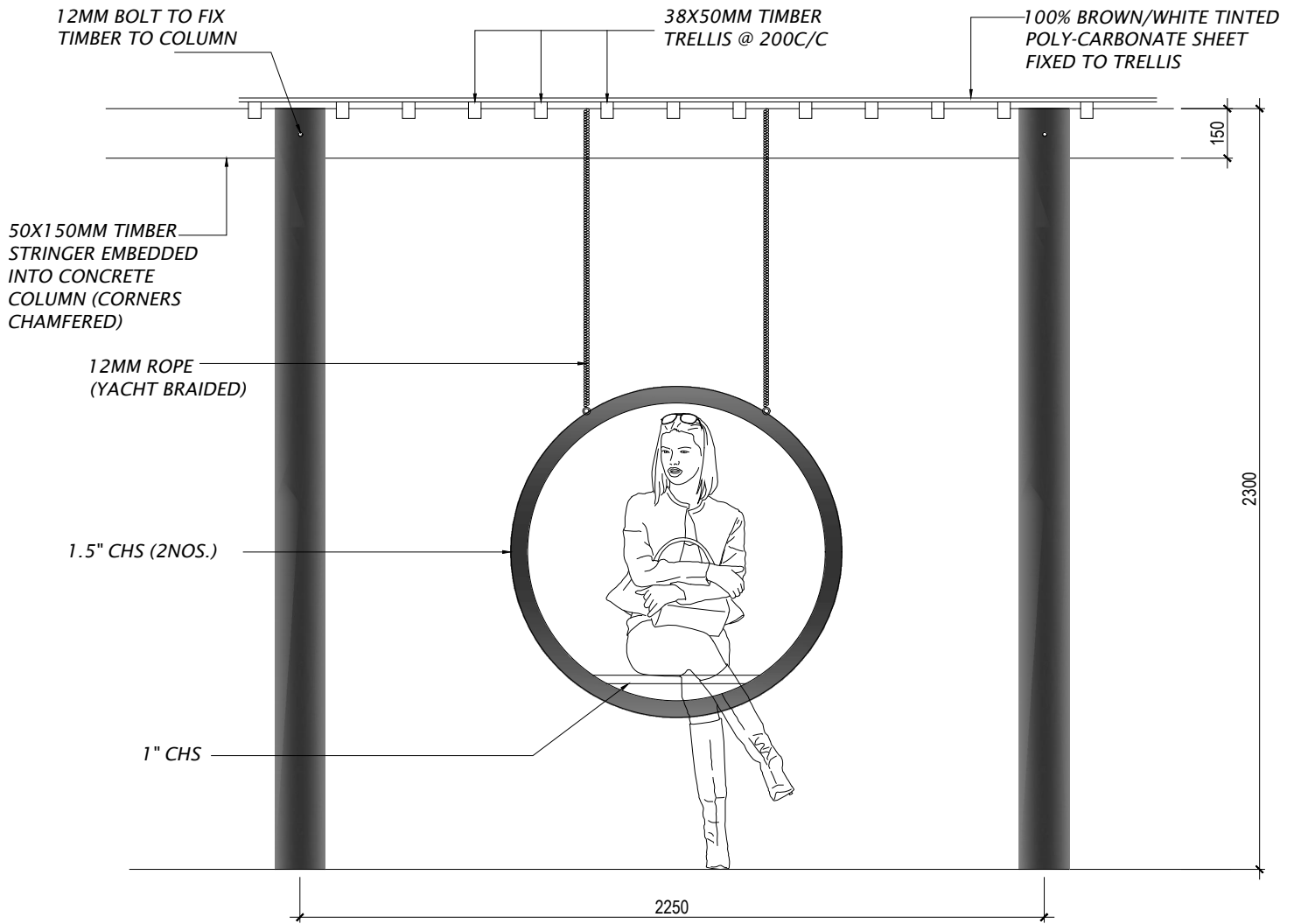
<p>SECRETARIAT OF THE KULHUDHUFFUSHI CITY COUNCIL AMEENEE MAGU, KULHUDHUFFUSHI CITY, 02110, REP. OF MALDIVES TEL: 1621 EMAIL: info@kulhudhuffushicity.gov.mv</p>	<p>SHEET TITLE: UNDHOALI DRAWINGS</p>	<p>PROJECT: BOAZIYAARAIY BEACH DEVELOPMENT</p>	<p>DRAWN BY: ADAM MOHAMED</p> <p>CHECKED BY: IMRAN AHMED</p>	<p>DATE: 26 OCTOBER 2024</p> <p>SCALE: AS GIVEN</p>	<p>PAGE NO: 31</p>
--	---	--	--	---	---------------------------------------



UNDHOALI FRONT ELEVATION
SCALE 1:20



SECRETARIAT OF THE KULHUDHUFFUSHI CITY COUNCIL AMEENEE MAGU, KULHUDHUFFUSHI CITY, 02110, REP. OF MALDIVES TEL: 1621 EMAIL: info@kulhudhuffushicity.gov.mv	SHEET TITLE: UNDHOALI DRAWINGS	PROJECT: BOAZIYAARAIY BEACH DEVELOPMENT	DRAWN BY: ADAM MOHAMED CHECKED BY: IMRAN AHMED	DATE: 26 OCTOBER 2024 SCALE: AS GIVEN	PAGE NO: 32
---	--	---	---	--	------------------------------

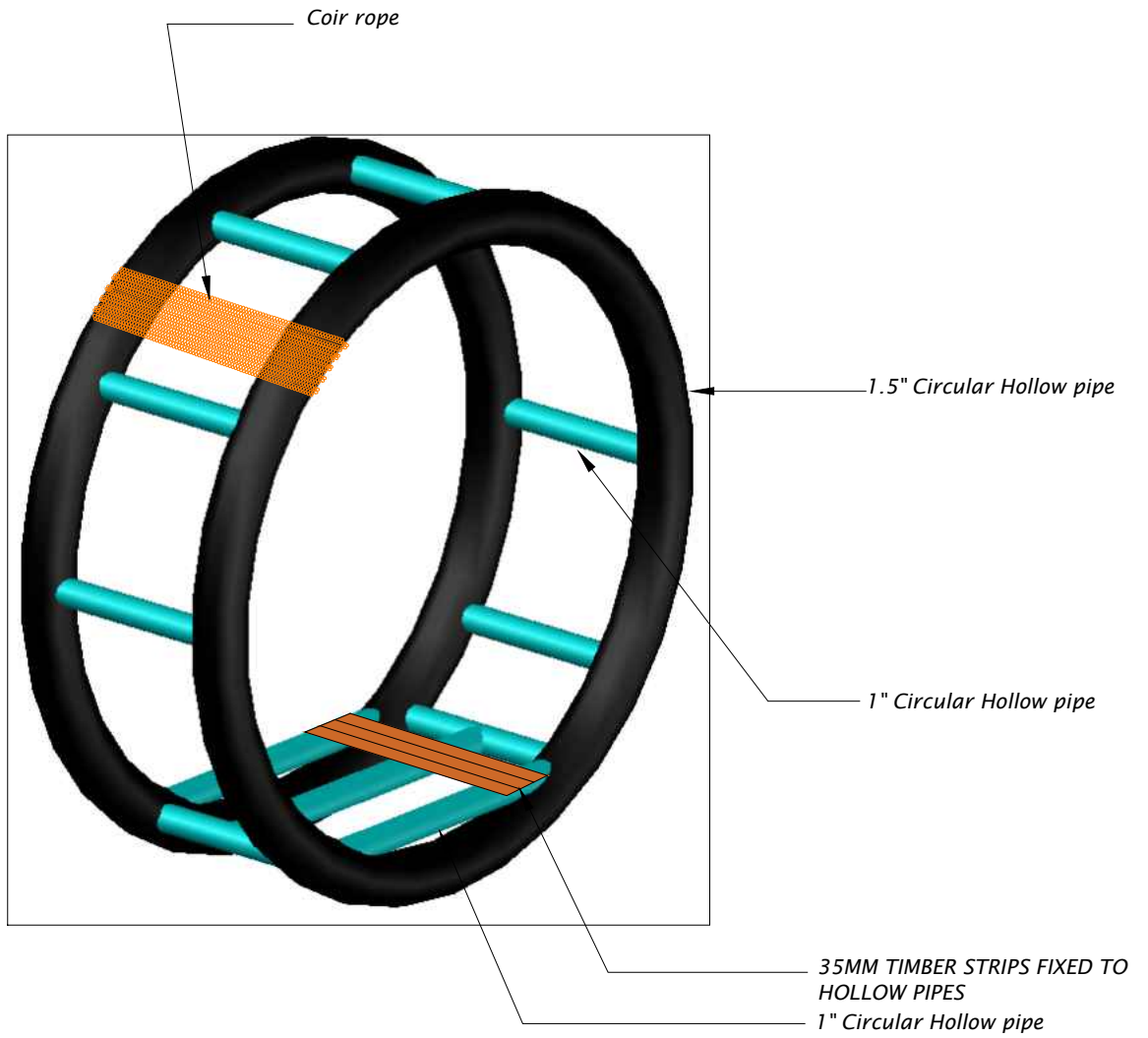


UNDHOALI FRONT ELEVATION (TYPE-2)

SCALE 1:20



<p>SECRETARIAT OF THE KULHUDHUFFUSHI CITY COUNCIL AMEENEE MAGU, KULHUDHUFFUSHI CITY, 02110, REP. OF MALDIVES TEL: 1621 EMAIL: info@kulhudhuffushicity.gov.mv</p>	<p>SHEET TITLE: UNDHOALI DRAWINGS</p>	<p>PROJECT: BOAZIYAARAIY BEACH DEVELOPMENT</p>	<p>DRAWN BY: ADAM MOHAMED</p> <p>CHECKED BY: IMRAN AHMED</p>	<p>DATE: 26 OCTOBER 2024</p> <p>SCALE: AS GIVEN</p>	<p>PAGE NO: 33</p>
--	--	---	--	---	--------------------------------------

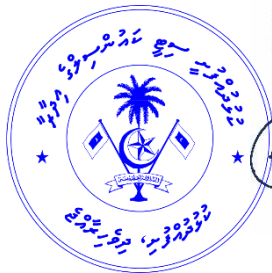
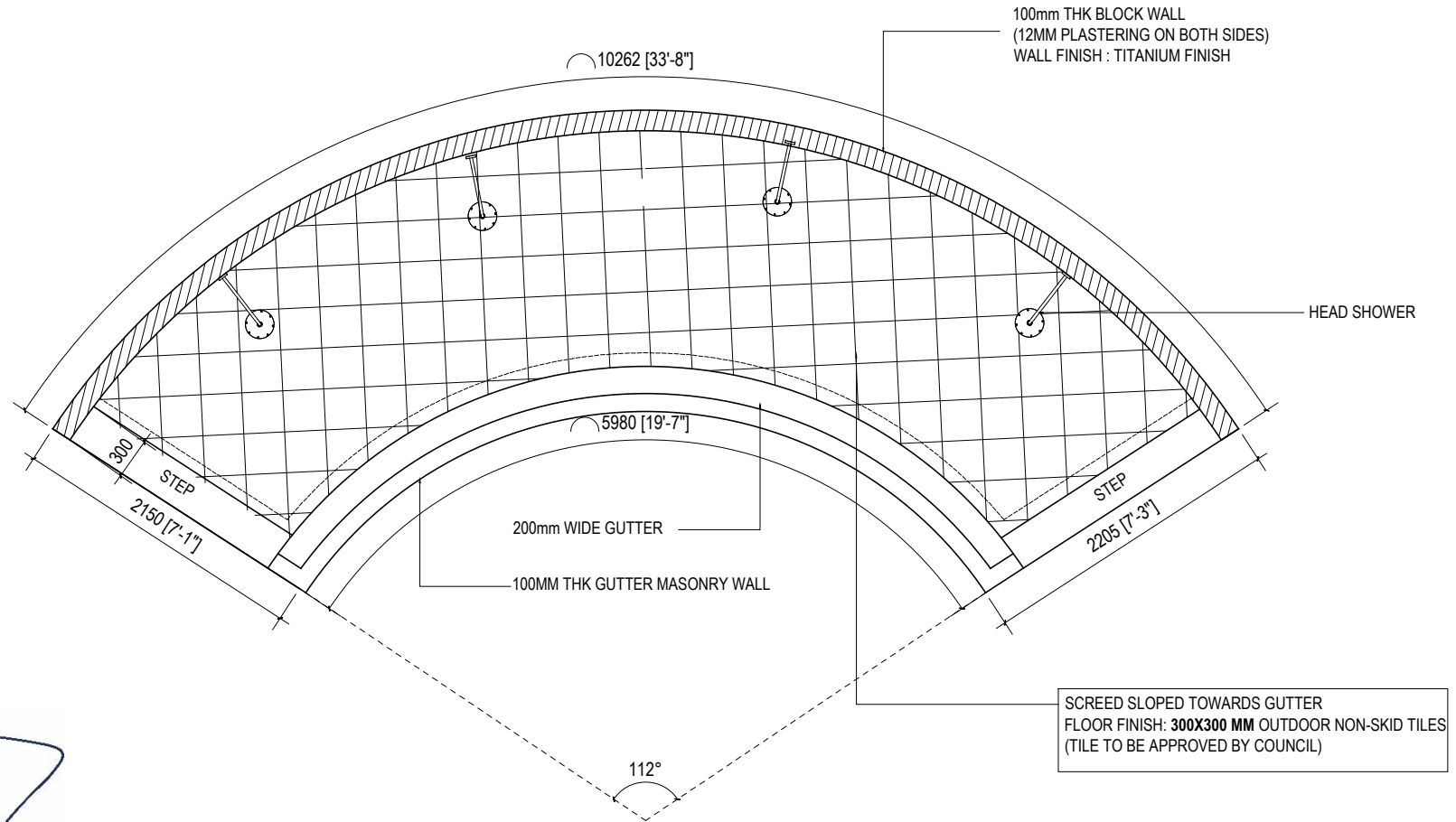


UNDHOALI (TYPE-2) FRAME DETAILS

SCALE 1:20



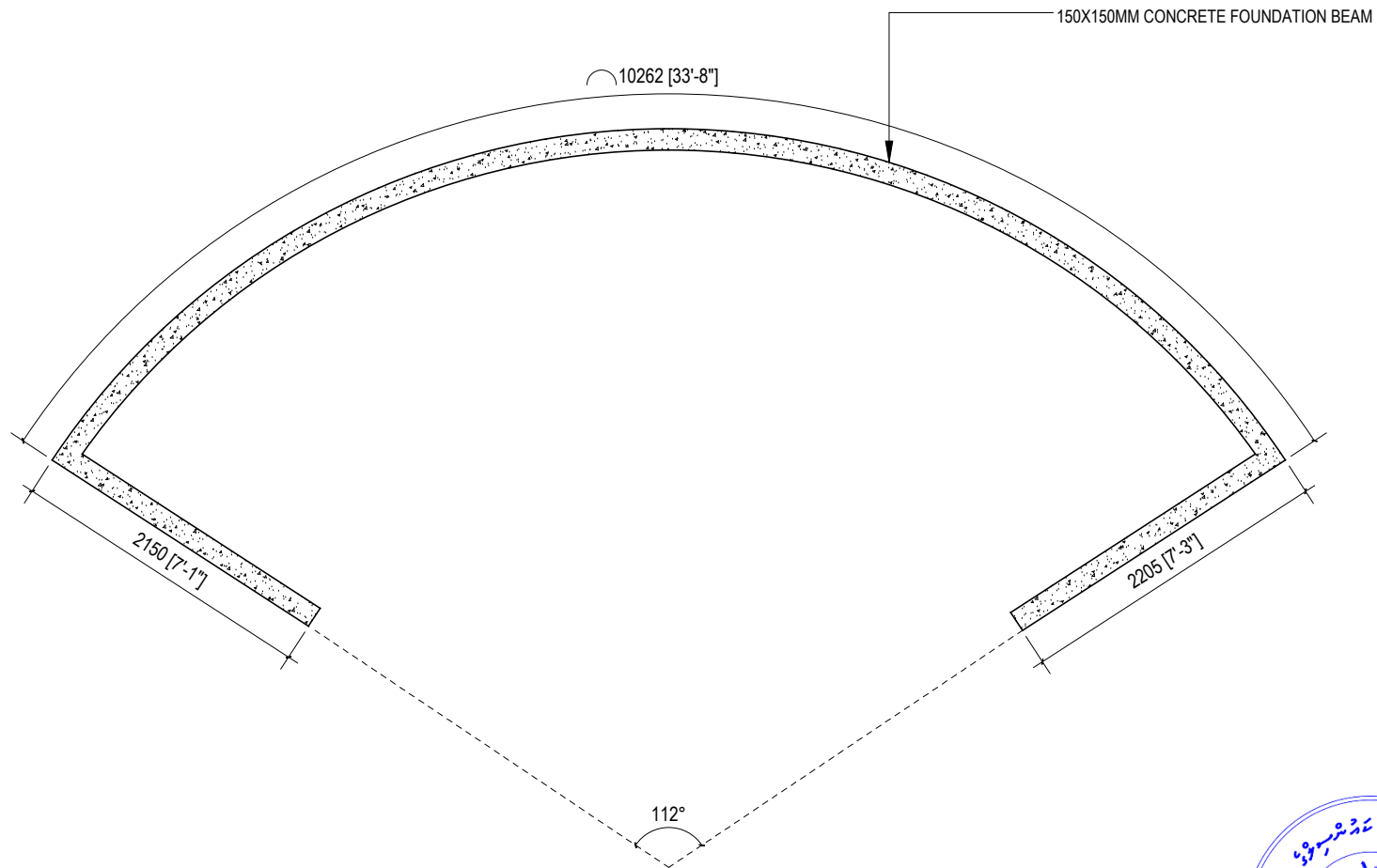
<p>SECRETARIAT OF THE KULHUDHUFFUSHI CITY COUNCIL AMEENEE MAGU, KULHUDHUFFUSHI CITY, 02110, REP. OF MALDIVES TEL: 1621 EMAIL: info@kulhudhuffushicity.gov.mv</p>	<p>SHEET TITLE: UNDHOALI DRAWINGS</p>	<p>PROJECT: BOAZIYAARAIY BEACH DEVELOPMENT</p>	<p>DRAWN BY: ADAM MOHAMED</p> <p>CHECKED BY: IMRAN AHMED</p>	<p>DATE: 26 OCTOBER 2024</p> <p>SCALE: AS GIVEN</p>	<p>PAGE NO: 34</p>
--	---	--	--	---	---------------------------------------



[Handwritten signature]

SHOWER-PLAN
SCALE 1:50

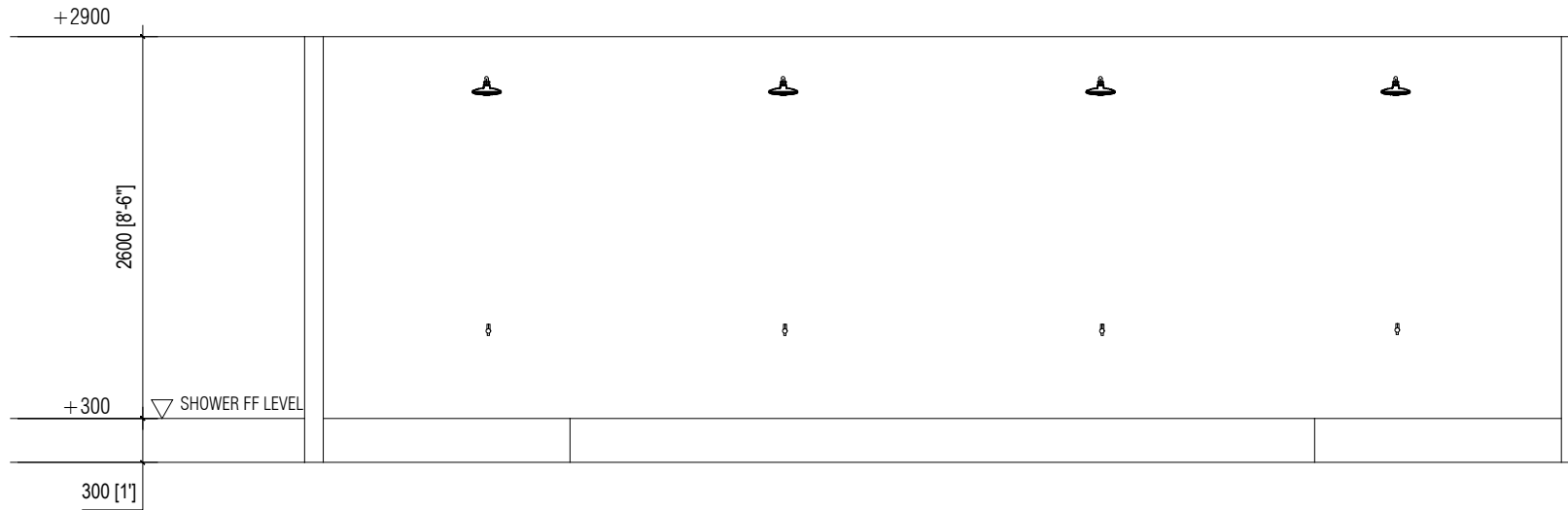
SECRETARIAT OF THE KULHUDHUFFUSHI CITY COUNCIL AMEENEE MAGU, KULHUDHUFFUSHI CITY, 02110, REP. OF MALDIVES TEL: 1621 EMAIL: info@kulhudhuffushicity.gov.mv	SHEET TITLE: SHOWER DRAWINGS	PROJECT: BOAZIYAARAIY BEACH DEVELOPMENT	DRAWN BY: ADAM MOHAMED	DATE: 26 OCTOBER 2024	PAGE NO: 35
			CHECKED BY: IMRAN AHMED	SCALE: AS GIVEN	



SHOWER WALL FOUNDATION PLAN
SCALE 1:50



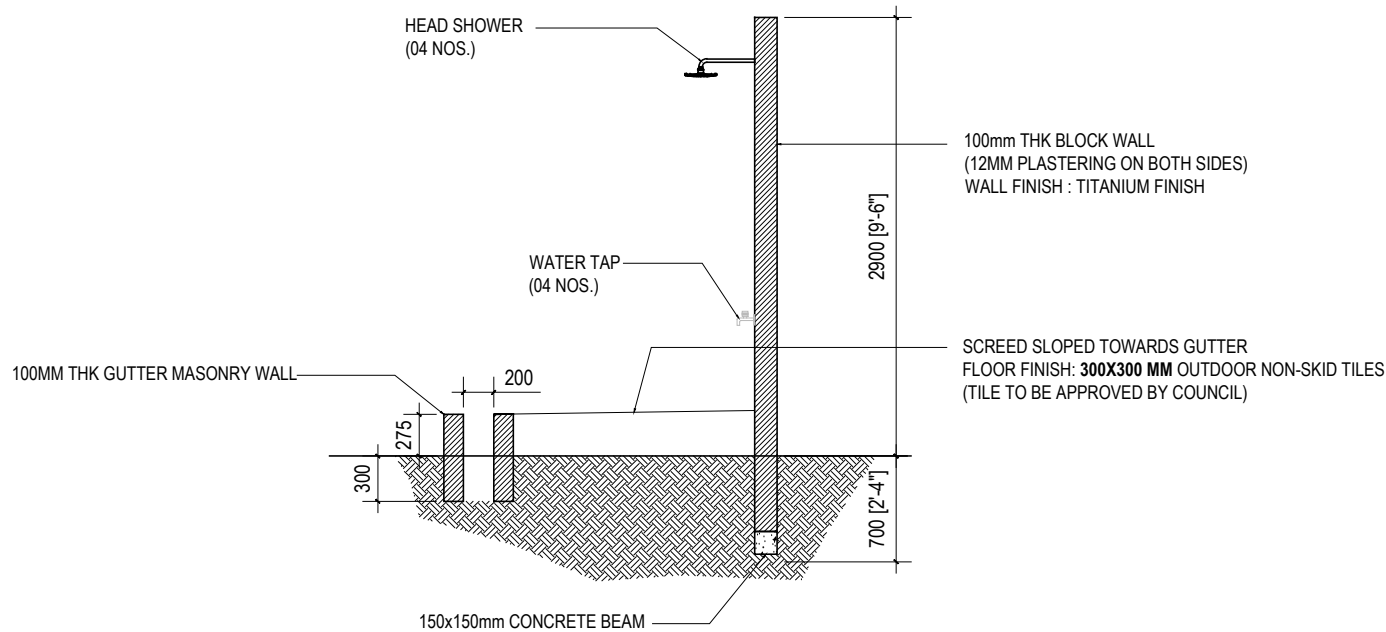
<p>SECRETARIAT OF THE KULHUDHUFFUSHI CITY COUNCIL AMEENEE MAGU, KULHUDHUFFUSHI CITY, 02110, REP. OF MALDIVES TEL: 1621 EMAIL: info@kulhudhuffushicity.gov.mv</p>	<p>SHEET TITLE: SHOWER DRAWINGS</p>	<p>PROJECT: BOAZIYAARAIY BEACH DEVELOPMENT</p>	<p>DRAWN BY: ADAM MOHAMED</p> <p>CHECKED BY: IMRAN AHMED</p>	<p>DATE: 26 OCTOBER 2024</p> <p>SCALE: AS GIVEN</p>	<p>PAGE NO: 36</p>
--	--	---	--	---	--------------------------------------



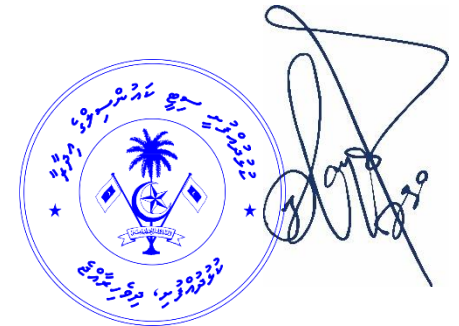
SHOWER-ELEVATION
SCALE 1:50



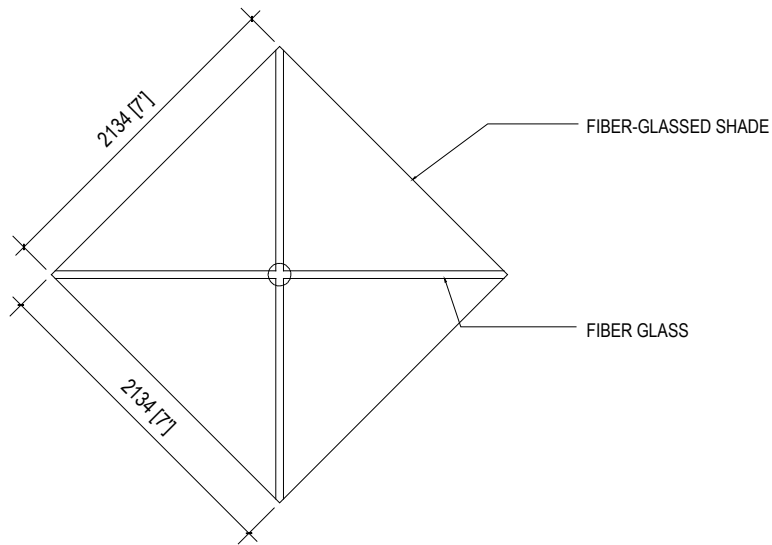
SECRETARIAT OF THE KULHUDHUFFUSHI CITY COUNCIL AMEENEE MAGU, KULHUDHUFFUSHI CITY, 02110, REP. OF MALDIVES TEL: 1621 EMAIL: info@kulhudhuffushicity.gov.mv	SHEET TITLE: SHOWER DRAWINGS	PROJECT: BOAZIYAARAIY BEACH DEVELOPMENT	DRAWN BY: ADAM MOHAMED	DATE: 26 OCTOBER 2024	PAGE NO: 37
			CHECKED BY: IMRAN AHMED	SCALE: AS GIVEN	



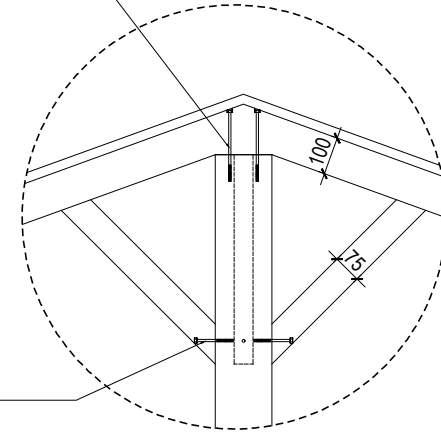
SHOWER-SECTION
SCALE 1:50



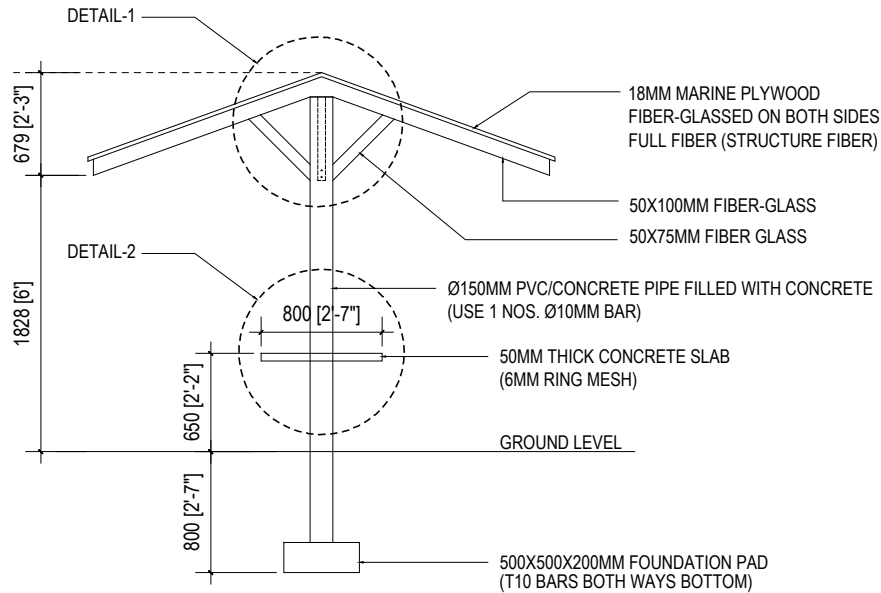
SECRETARIAT OF THE KULHUDHUFFUSHI CITY COUNCIL AMEENEE MAGU, KULHUDHUFFUSHI CITY, 02110, REP. OF MALDIVES TEL: 1621 EMAIL: info@kulhudhuffushicity.gov.mv	SHEET TITLE: SHOWER DRAWINGS	PROJECT: BOAZIYAARAIY BEACH DEVELOPMENT	DRAWN BY: ADAM MOHAMED	DATE: 26 OCTOBER 2024	PAGE NO: 38
			CHECKED BY: IMRAN AHMED	SCALE: AS GIVEN	



FIBER STRUCTURE FIXED TO CONCRETE COLUMN
ROD (GALVANIZED) ANCHORED TO COLUMN

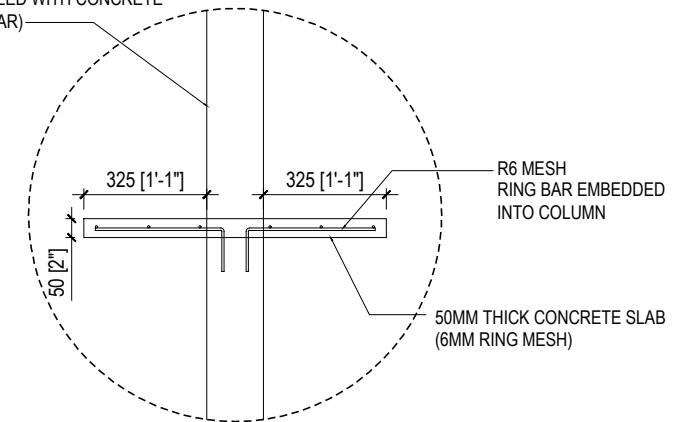


DETAIL -1
SCALE 1:20



HUT DETAILS
SCALE 1:50

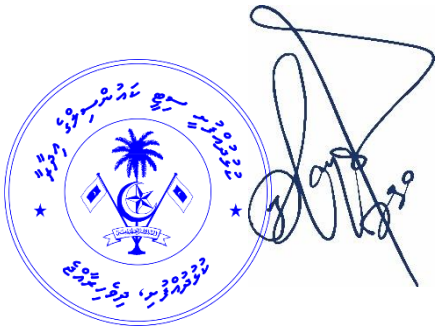
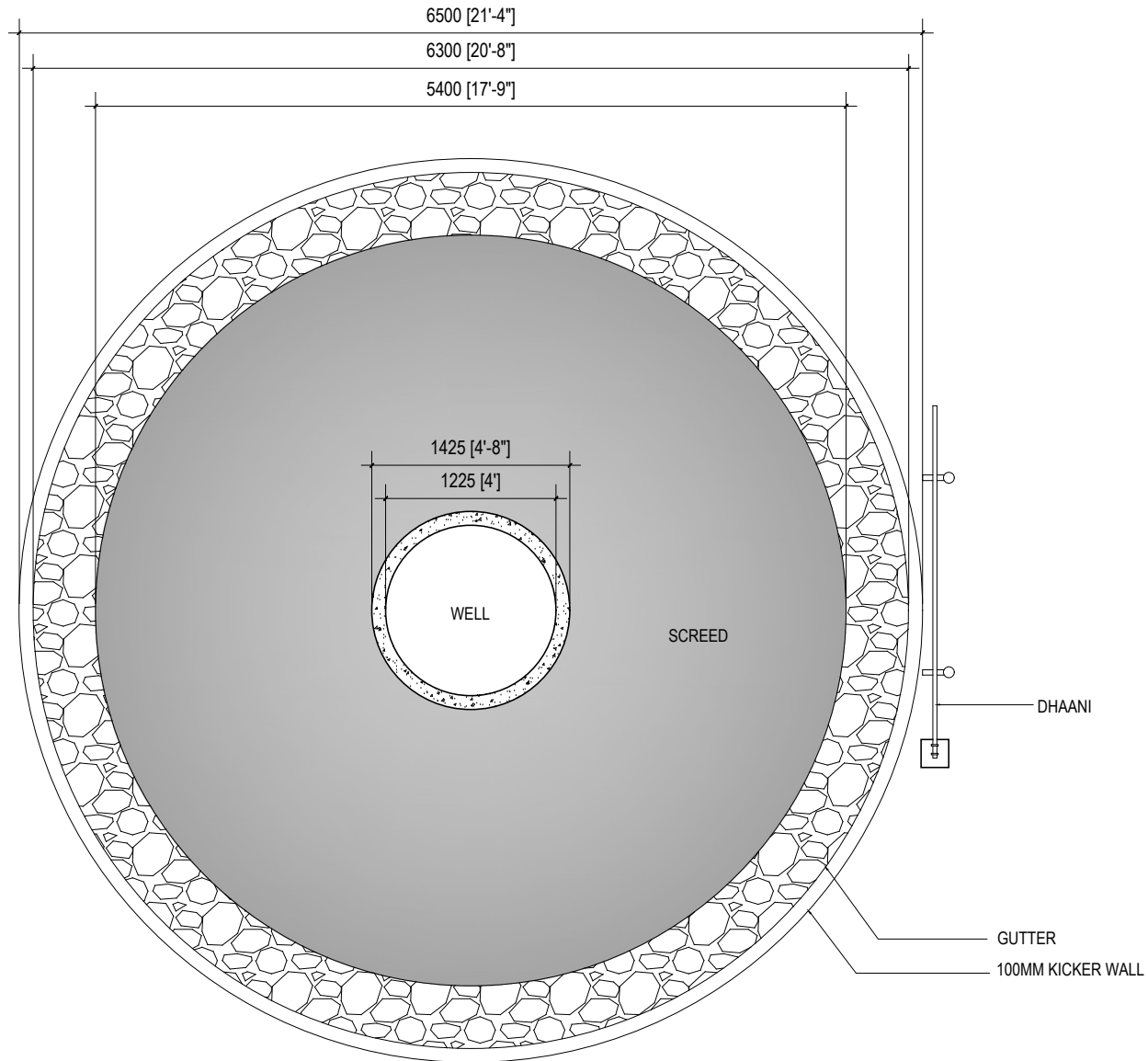
Ø150MM PVC PIPE FILLED WITH CONCRETE
(USE 1 NOS. Ø10MM BAR)



DETAIL -2
SCALE 1:20

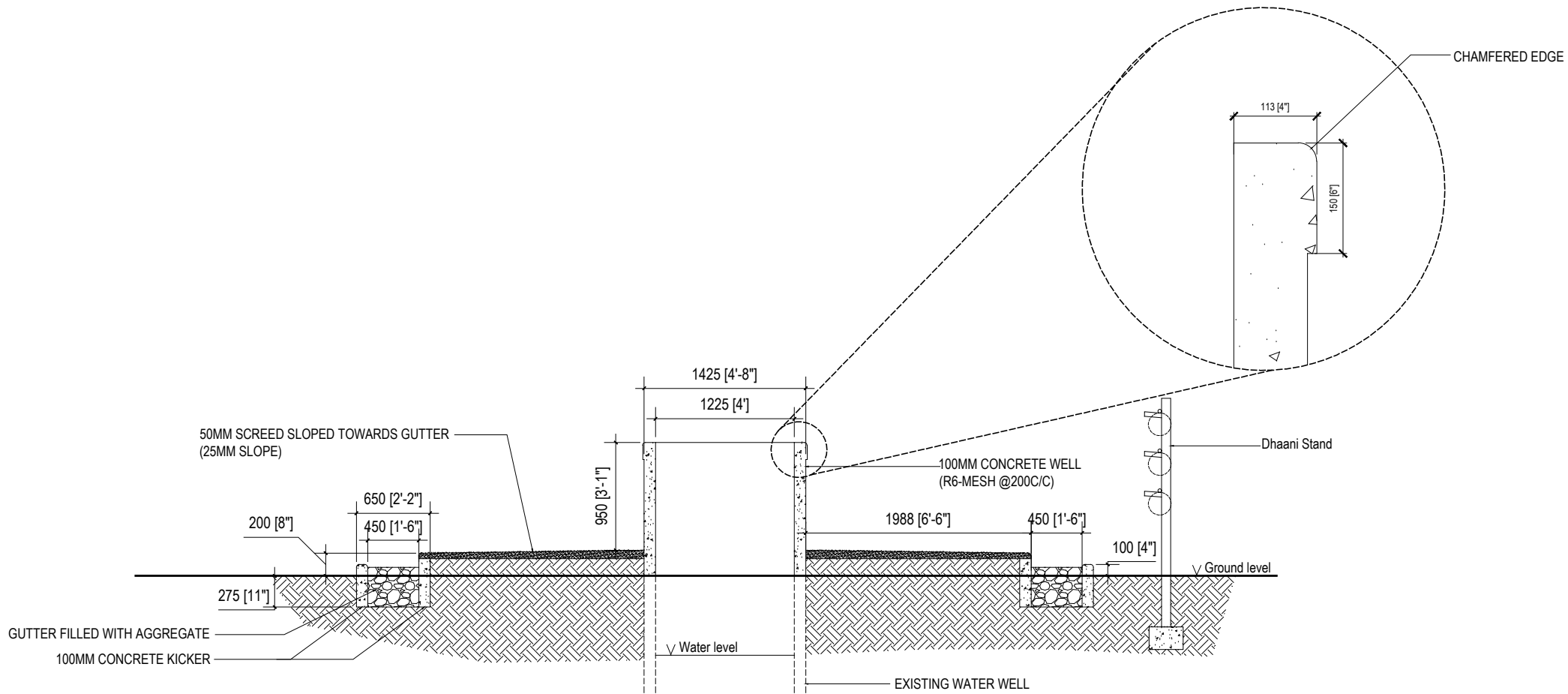


SECRETARIAT OF THE KULHUDHUFFUSHI CITY COUNCIL AMEENE MAGU, KULHUDHUFFUSHI CITY, 02110, REP. OF MALDIVES TEL: 1621 EMAIL: info@kulhudhuffushicity.gov.mv	SHEET TITLE: BEACH HUT DRAWINGS	PROJECT: BOAZIYAARAIY BEACH DEVELOPMENT	DRAWN BY: ADAM MOHAMED	DATE: 26 OCTOBER 2024	PAGE NO: 39
			CHECKED BY: IMRAN AHMED	SCALE: AS GIVEN	

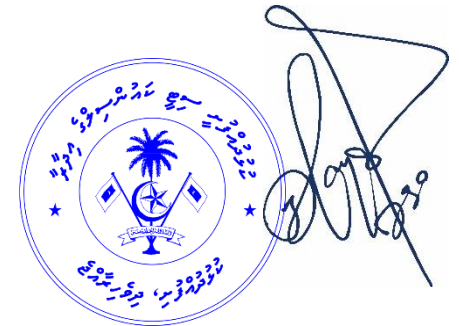


WATER WELL - PLAN
 SCALE 1:50

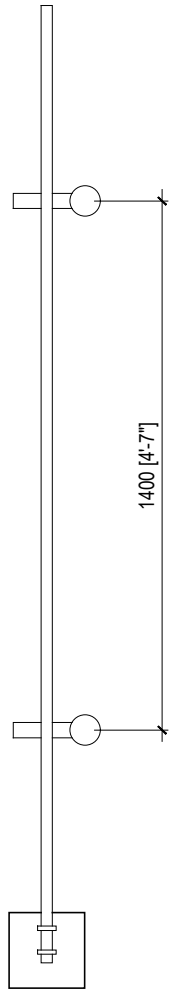
SECRETARIAT OF THE KULHUDHUFFUSHI CITY COUNCIL AMEENEE MAGU, KULHUDHUFFUSHI CITY, 02110, REP. OF MALDIVES TEL: 1621 EMAIL: info@kulhudhuffushicity.gov.mv	SHEET TITLE: WELL DRAWINGS	PROJECT: BOAZIYAARAIY BEACH DEVELOPMENT	DRAWN BY: ADAM MOHAMED	DATE: 26 OCTOBER 2024	PAGE NO: 40
			CHECKED BY: IMRAN AHMED	SCALE: AS GIVEN	



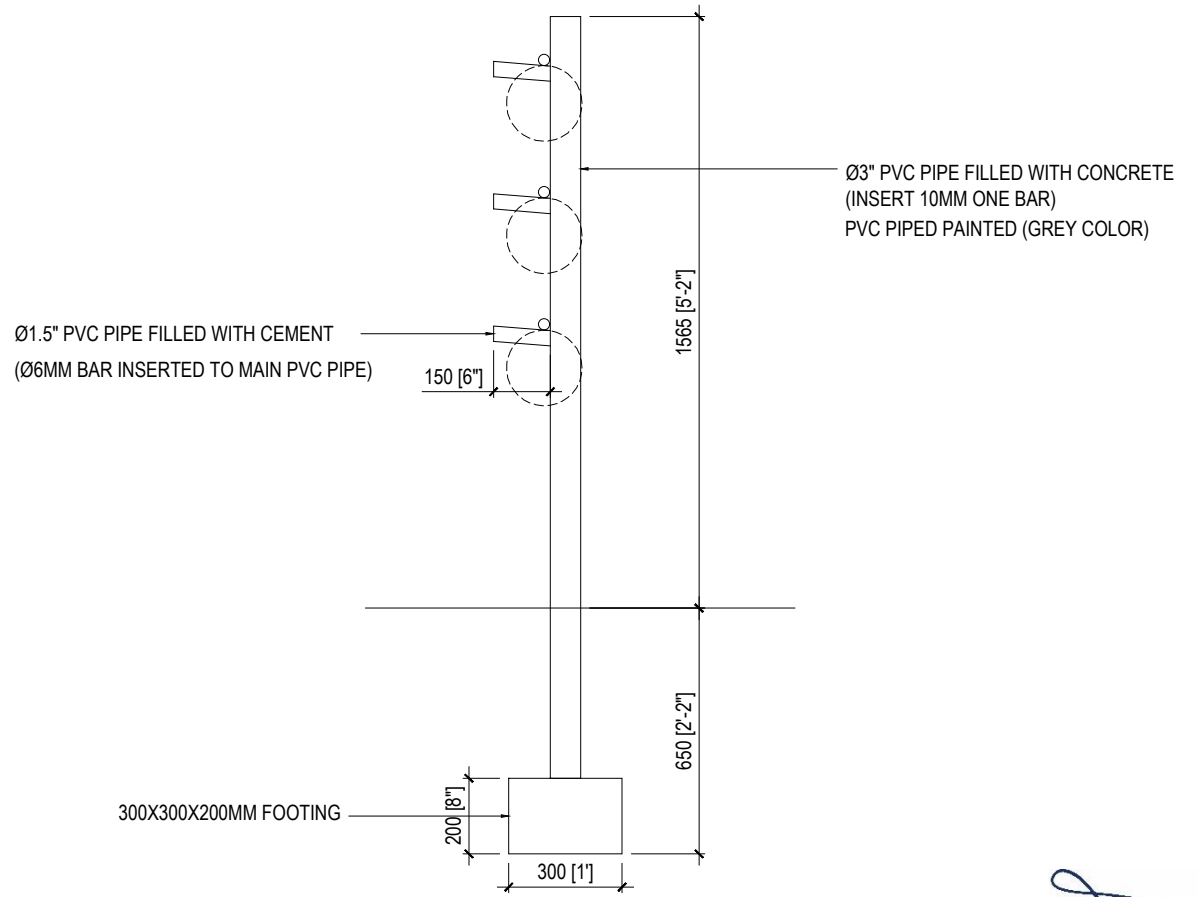
WATER WELL- SECTION
SCALE 1:50



<p>SECRETARIAT OF THE KULHUDHUFFUSHI CITY COUNCIL AMEENEE MAGU, KULHUDHUFFUSHI CITY, 02110, REP. OF MALDIVES TEL: 1621 EMAIL: info@kulhudhuffushicity.gov.mv</p>	<p>SHEET TITLE: WELL DRAWINGS</p>	<p>PROJECT: BOAZIYAARAIY BEACH DEVELOPMENT</p>	<p>DRAWN BY: ADAM MOHAMED</p> <p>CHECKED BY: IMRAN AHMED</p>	<p>DATE: 26 OCTOBER 2024</p> <p>SCALE: AS GIVEN</p>	<p>PAGE NO: 41</p>
--	--	---	--	---	--------------------------------------



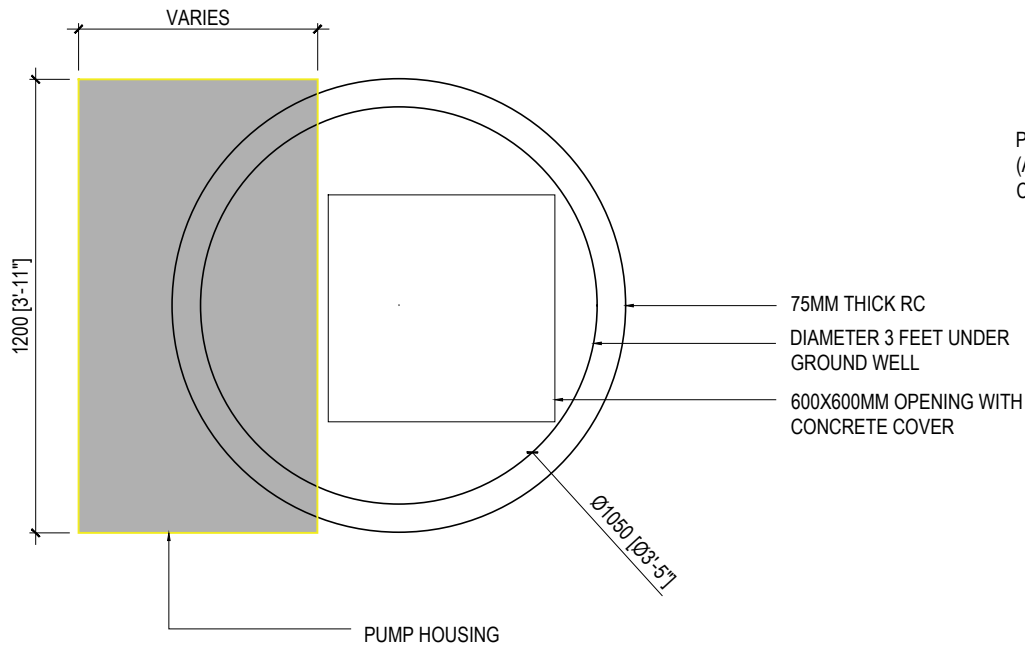
"DHAANI" STAND-PLAN
SCALE 1:20



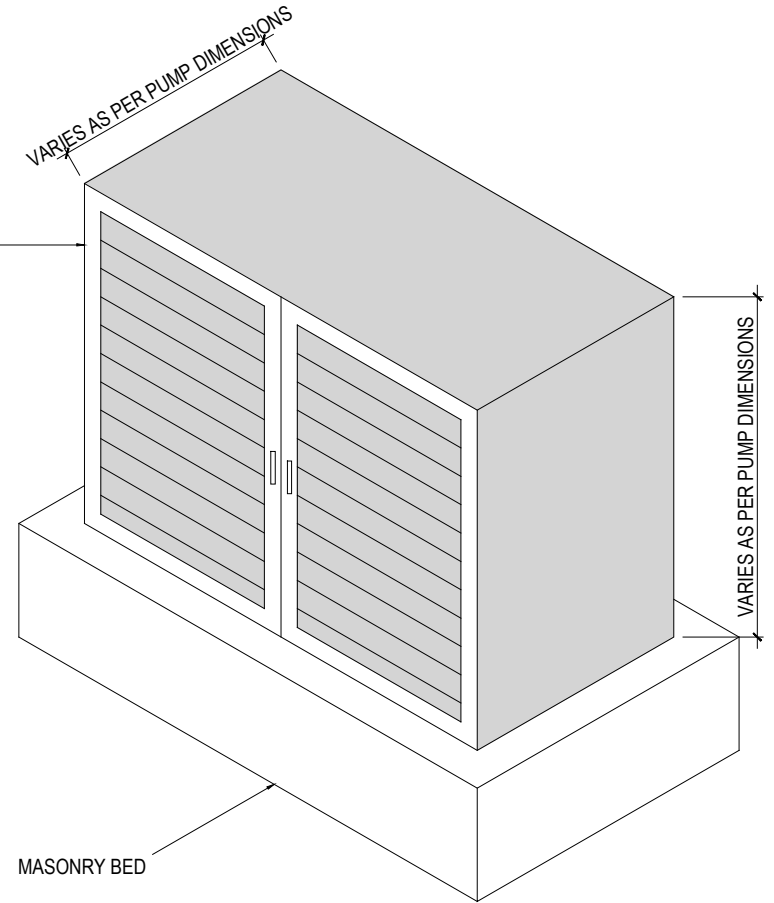
"DHAANI" STAND-SECTION
SCALE 1:20



SECRETARIAT OF THE KULHUDHUFFUSHI CITY COUNCIL AMEENEE MAGU, KULHUDHUFFUSHI CITY, 02110, REP. OF MALDIVES TEL: 1621 EMAIL: info@kulhudhuffushicity.gov.mv	SHEET TITLE: WELL DRAWINGS	PROJECT: BOAZIYAARAIY BEACH DEVELOPMENT	DRAWN BY: ADAM MOHAMED	DATE: 26 OCTOBER 2024	PAGE NO: 42
			CHECKED BY: IMRAN AHMED	SCALE: AS GIVEN	



PUMP COVER HOUSING
(ALUMINIUM FRAMED WITH
CLADDING SHEET)



PUMP HOUSING DETAIL
SCALE 1:20

WELL 2-PLAN
SCALE 1:20



SECRETARIAT OF THE KULHUDHUFFUSHI CITY COUNCIL
AMEENEE MAGU, KULHUDHUFFUSHI CITY, 02110, REP. OF MALDIVES
TEL: 1621 EMAIL: info@kulhudhuffushicity.gov.mv

SHEET TITLE:
WELL DRAWINGS

PROJECT:
BOAZIYAARAIY BEACH DEVELOPMENT

DRAWN BY:
ADAM MOHAMED

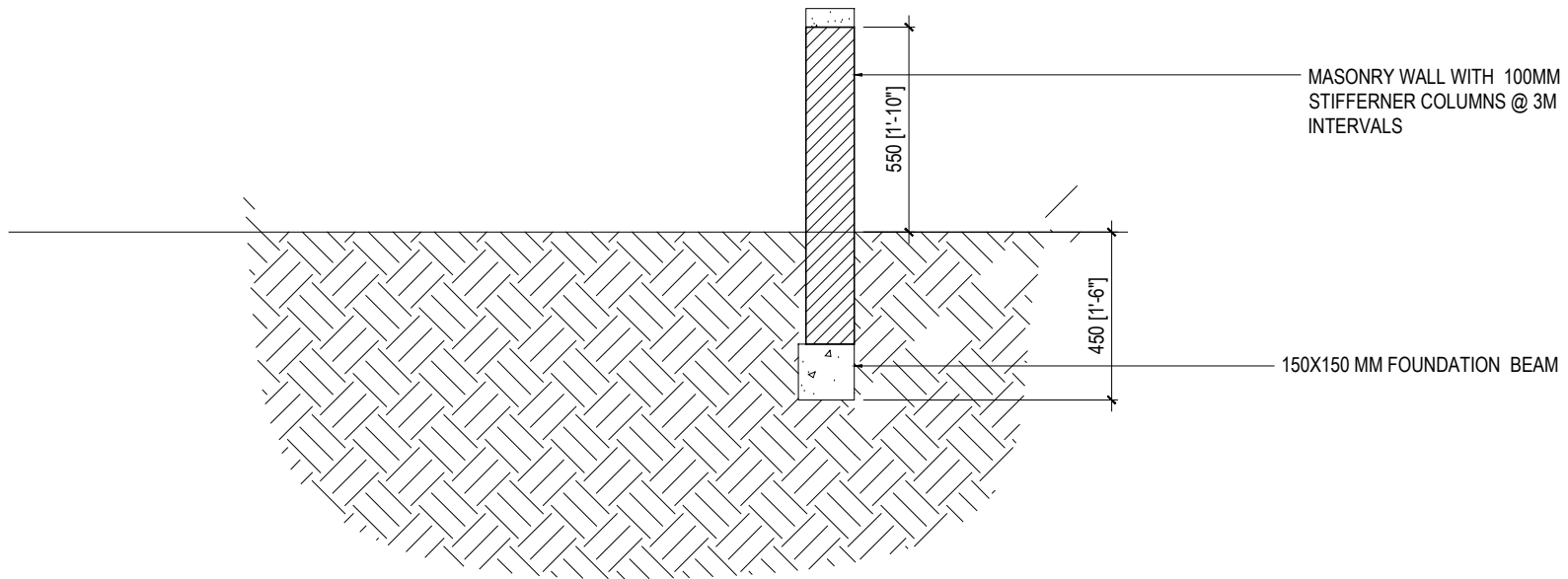
CHECKED BY:
IMRAN AHMED

DATE: 26 OCTOBER 2024

SCALE: AS GIVEN

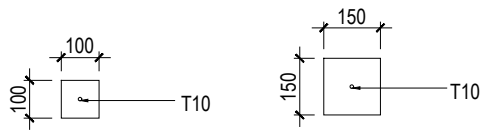
PAGE NO:

43



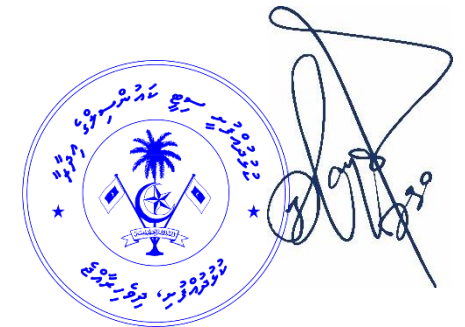
BOUNDARY WALL-SECTION

SCALE 1:20

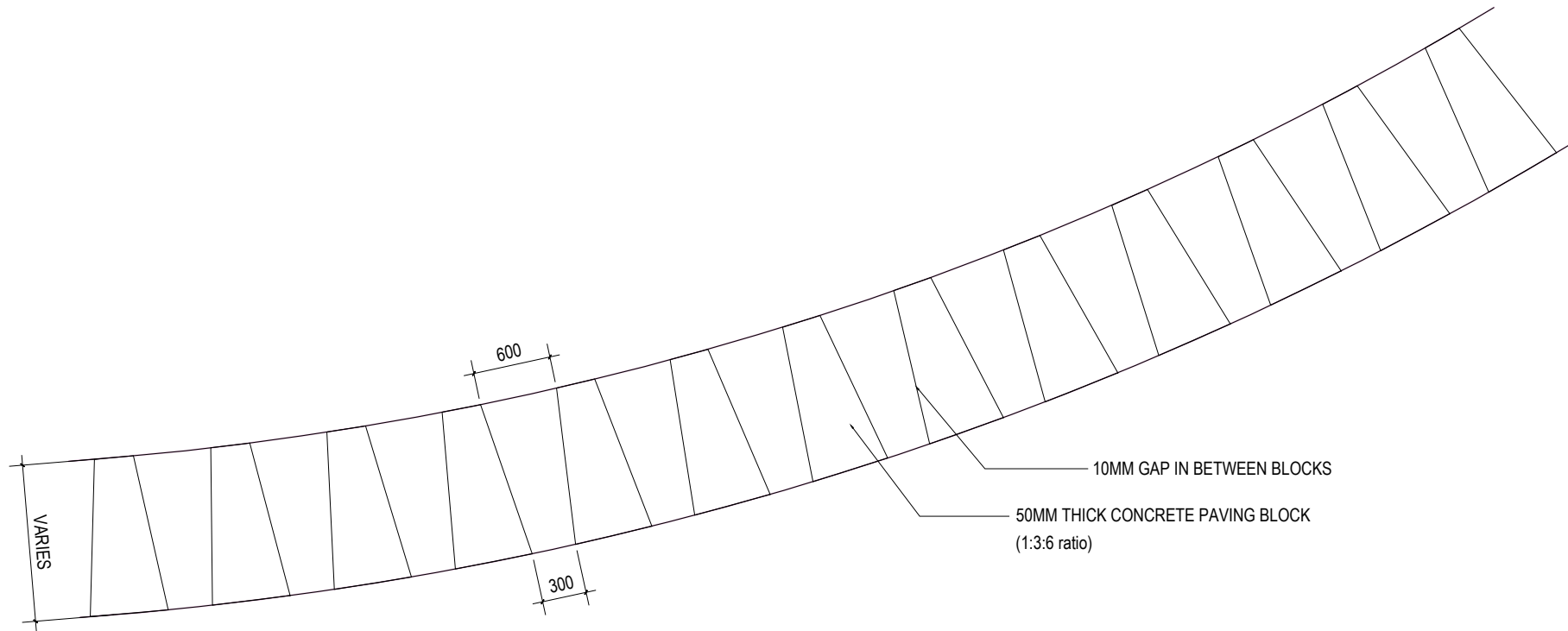


STIFFENER COLUMN

FOUNDATION BEAM



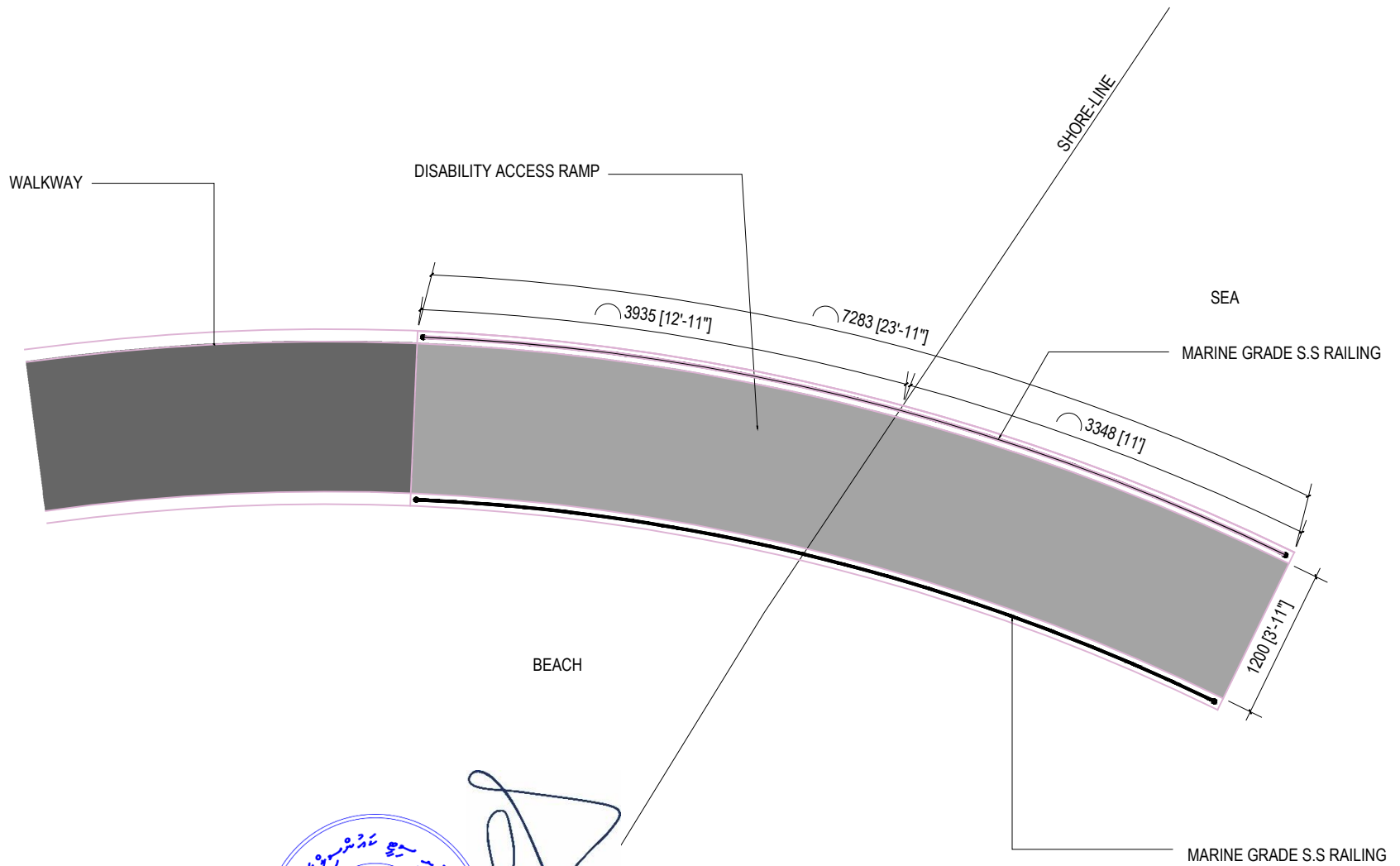
SECRETARIAT OF THE KULHUDHUFFUSHI CITY COUNCIL AMEENEE MAGU, KULHUDHUFFUSHI CITY, 02110, REP. OF MALDIVES TEL: 1621 EMAIL: info@kulhudhuffushicity.gov.mv	SHEET TITLE: BOUNDARY WALL DRAWINGS	PROJECT: BOAZIYAARAIY BEACH DEVELOPMENT	DRAWN BY: ADAM MOHAMED	DATE: 26 OCTOBER 2024	PAGE NO: 47
			CHECKED BY: IMRAN AHMED	SCALE: AS GIVEN	



WALK-WAY PLAN
SCALE 1:50



SECRETARIAT OF THE KULHUDHUFFUSHI CITY COUNCIL AMEENEE MAGU, KULHUDHUFFUSHI CITY, 02110, REP. OF MALDIVES TEL: 1621 EMAIL: info@kulhudhuffushicity.gov.mv	SHEET TITLE: WALK-WAY DRAWINGS	PROJECT: BOAZIYAARAIY BEACH DEVELOPMENT	DRAWN BY: ADAM MOHAMED	DATE: 26 OCTOBER 2024	PAGE NO: 48
			CHECKED BY: IMRAN AHMED	SCALE: AS GIVEN	

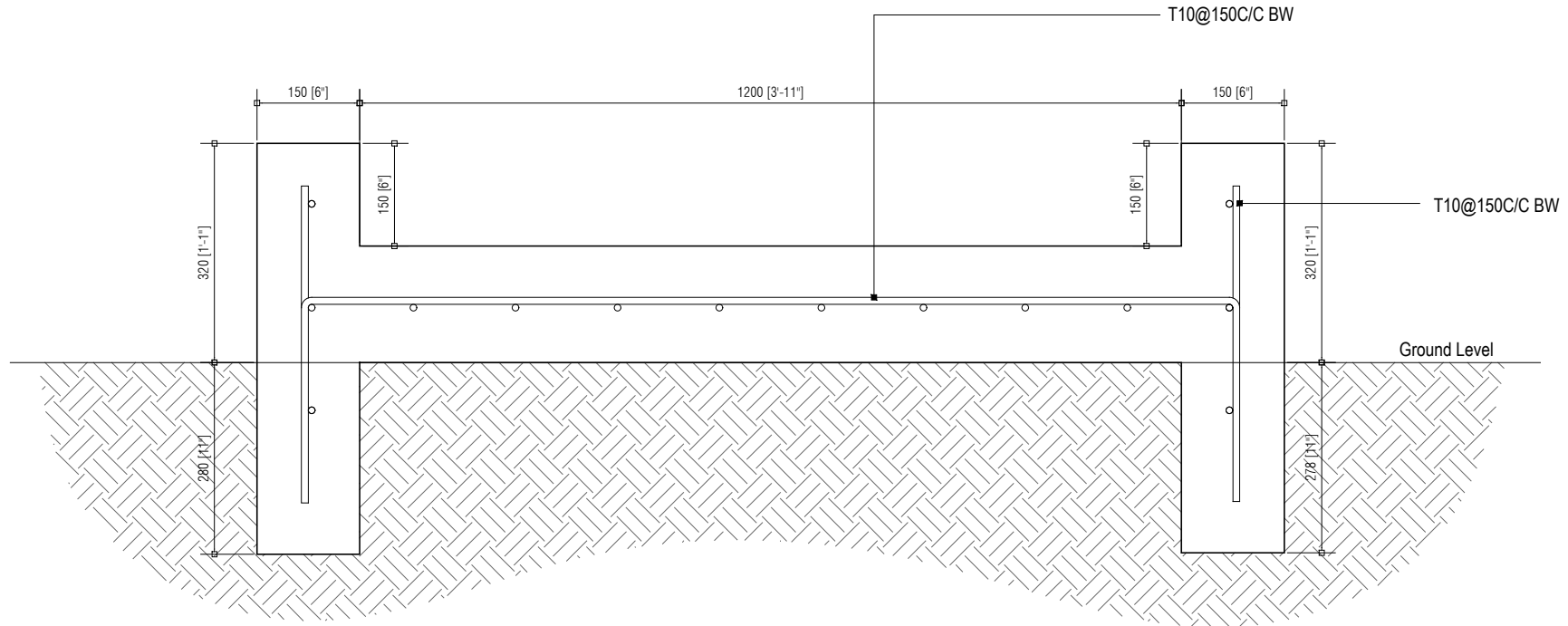


DISABILITY ACCESS RAMP
SCALE 1:50

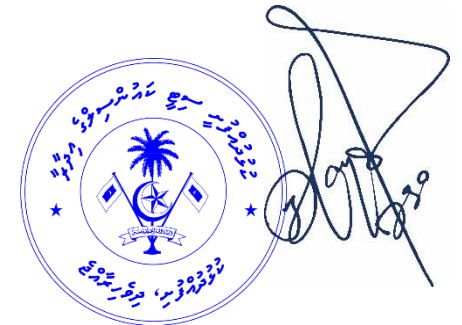


[Handwritten Signature]

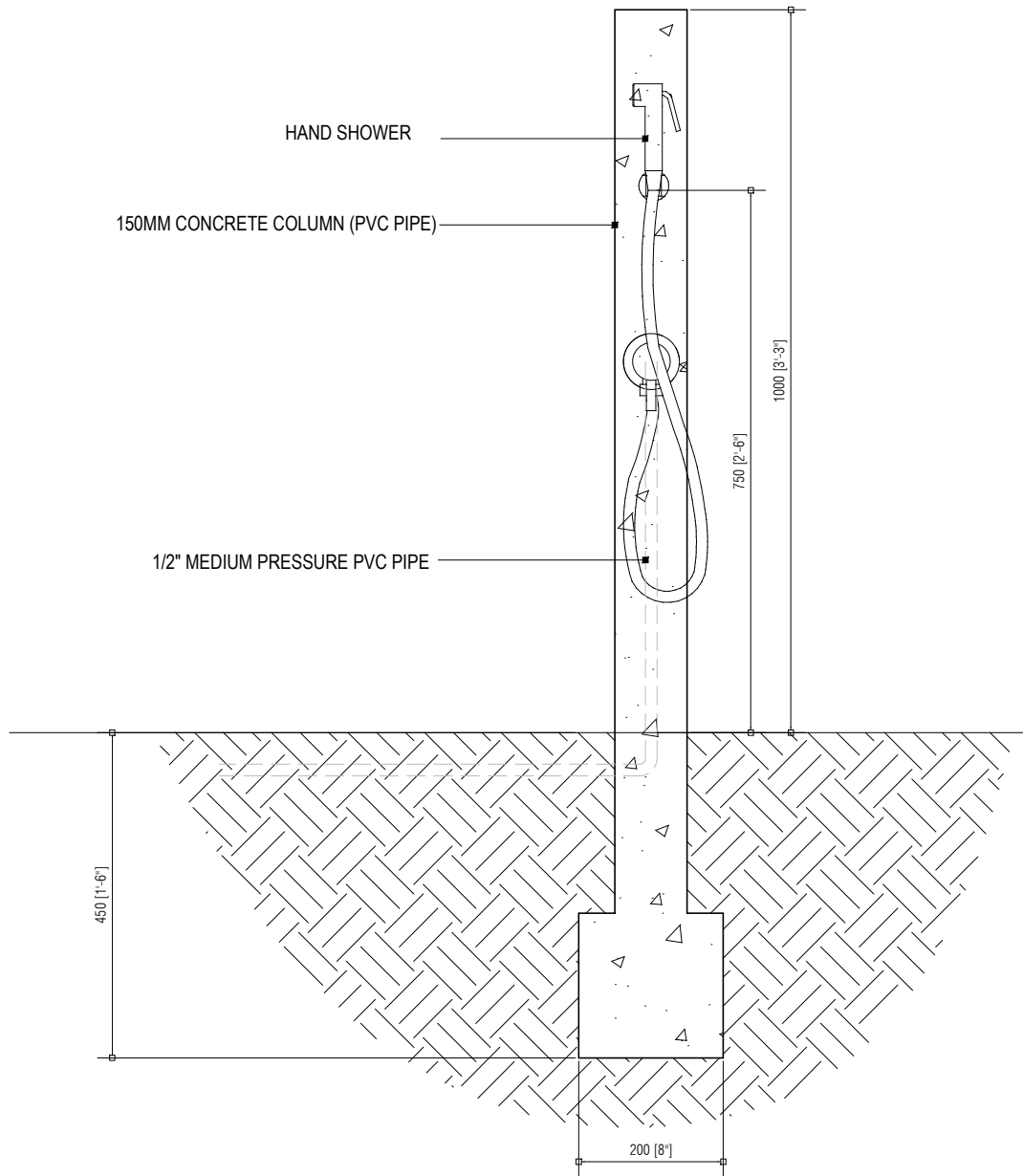
<p>SECRETARIAT OF THE KULHUDHUFFUSHI CITY COUNCIL AMEENEE MAGU, KULHUDHUFFUSHI CITY, 02110, REP. OF MALDIVES TEL: 1621 EMAIL: info@kulhudhuffushicity.gov.mv</p>	<p>SHEET TITLE: DISABILITY ACCESS RAMP DRAWINGS</p>	<p>PROJECT: BOAZIYAARAIY BEACH DEVELOPMENT</p>	<p>DRAWN BY: ADAM MOHAMED</p> <p>CHECKED BY: IMRAN AHMED</p>	<p>DATE: 26 OCTOBER 2024</p> <p>SCALE: AS GIVEN</p>	<p>PAGE NO: 49</p>
--	--	---	--	---	--------------------------------------



DESABILITY ACCESS RAMP -SECTION
SCALE 1:10



<p>SECRETARIAT OF THE KULHUDHUFFUSHI CITY COUNCIL AMEENE MAGU, KULHUDHUFFUSHI CITY, 02110, REP. OF MALDIVES TEL: 1621 EMAIL: info@kulhudhuffushicity.gov.mv</p>	<p>SHEET TITLE: DISABILITY ACCESS RAMP DRAWINGS</p>	<p>PROJECT: BOAZIYAARAIY BEACH DEVELOPMENT</p>	<p>DRAWN BY: ADAM MOHAMED</p> <p>CHECKED BY: IMRAN AHMED</p>	<p>DATE: 26 OCTOBER 2024</p> <p>SCALE: AS GIVEN</p>	<p>PAGE NO: 50</p>
---	--	---	--	---	--------------------------------------

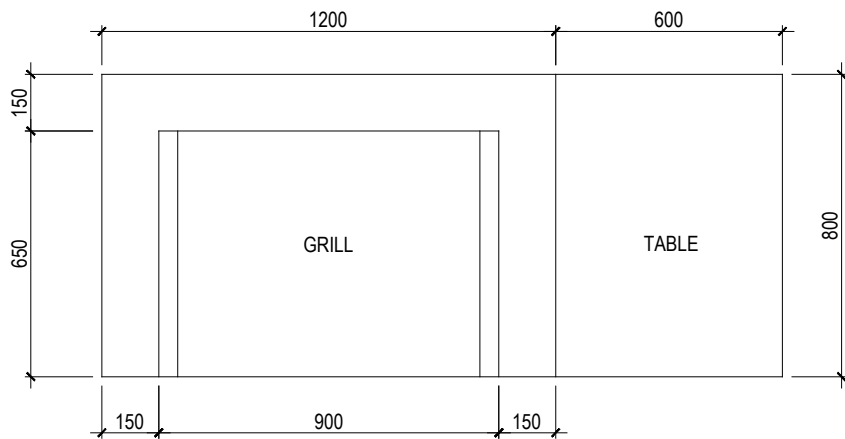


"FEN MUDI" DETAIL

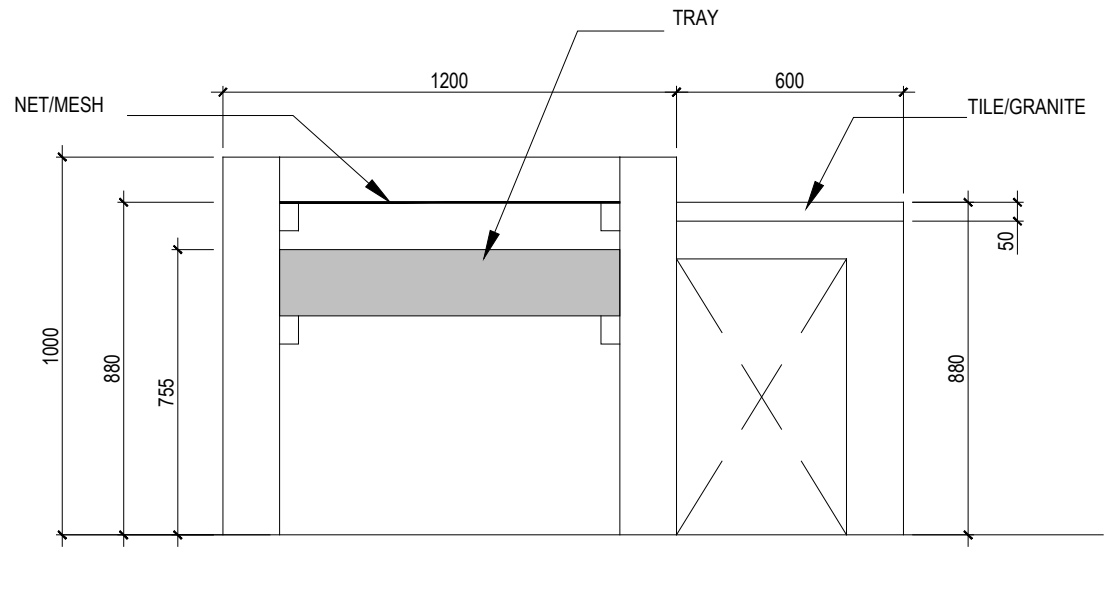
SCALE 1:10



<p>SECRETARIAT OF THE KULHUDHUFFUSHI CITY COUNCIL AMEENEE MAGU, KULHUDHUFFUSHI CITY, 02110, REP. OF MALDIVES TEL: 1621 EMAIL: info@kulhudhuffushicity.gov.mv</p>	<p>SHEET TITLE: FEN MUDI DRAWINGS</p>	<p>PROJECT: BOAZIYAARAIY BEACH DEVELOPMENT</p>	<p>DRAWN BY: ADAM MOHAMED</p> <p>CHECKED BY: IMRAN AHMED</p>	<p>DATE: 26 OCTOBER 2024</p> <p>SCALE: AS GIVEN</p>	<p>PAGE NO: 51</p>
--	--	---	--	---	--------------------------------------

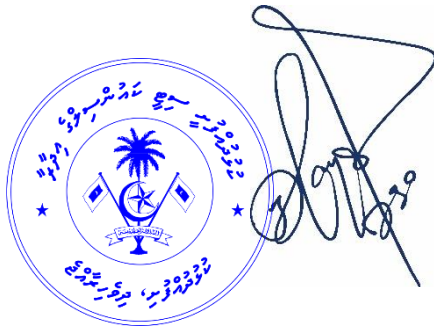


BBQ GRILL -PLAN
SCALE 1:20

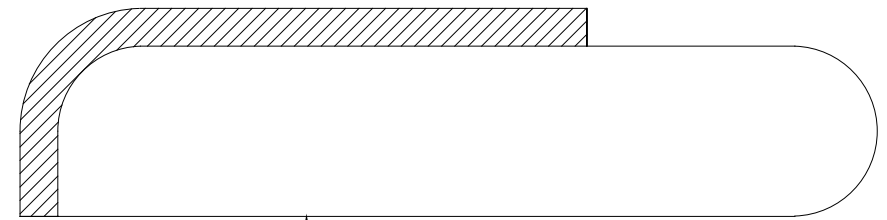
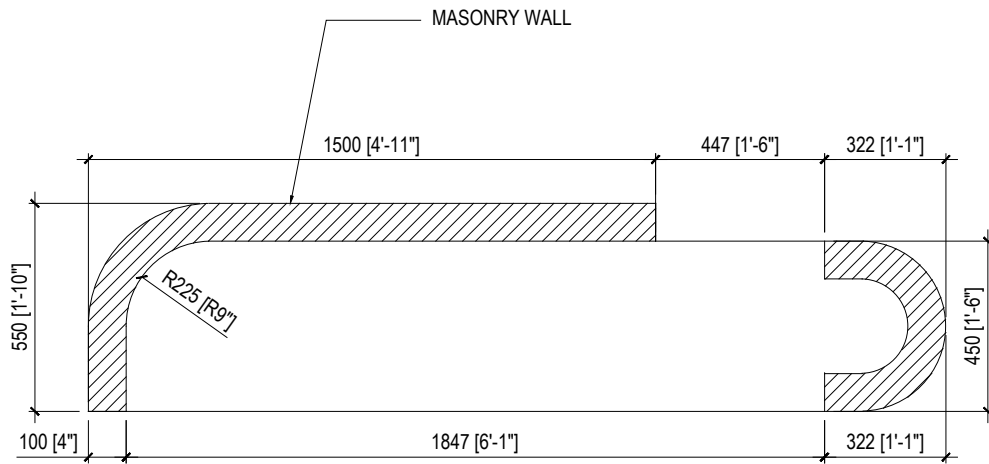


NOTE: ALL MASONRY USING HEAT TREATED CLAY-BRICKS AND CEMENT

BBQ GRILL -ELEVATION
SCALE 1:20



<p>SECRETARIAT OF THE KULHUDHUFFUSHI CITY COUNCIL AMEENEE MAGU, KULHUDHUFFUSHI CITY, 02110, REP. OF MALDIVES TEL: 1621 EMAIL: info@kulhudhuffushicity.gov.mv</p>	<p>SHEET TITLE: BBQ GRILL DRAWINGS</p>	<p>PROJECT: BOAZIYAARAIY BEACH DEVELOPMENT</p>	<p>DRAWN BY: ADAM MOHAMED</p> <p>CHECKED BY: IMRAN AHMED</p>	<p>DATE: 26 OCTOBER 2024</p> <p>SCALE: AS GIVEN</p>	<p>PAGE NO: 52</p>
--	---	---	--	---	--------------------------------------



50mm CONCRETE SLAB
(R6 MESH @200C/C)
SLAB EMBEDDED INTO WALL



<p>SECRETARIAT OF THE KULHUDHUFFUSHI CITY COUNCIL AMEENE MAGU, KULHUDHUFFUSHI CITY, 02110, REP. OF MALDIVES TEL: 1621 EMAIL: info@kulhudhuffushicity.gov.mv</p>	<p>SHEET TITLE: CONCRETE BENCH DRAWINGS</p>	<p>PROJECT: BOAZIYAARAIY BEACH DEVELOPMENT</p>	<p>DRAWN BY: ADAM MOHAMED</p> <p>CHECKED BY: IMRAN AHMED</p>	<p>DATE: 26 OCTOBER 2024</p> <p>SCALE: AS GIVEN</p>	<p>PAGE NO: 53</p>
---	--	---	--	---	--------------------------------------

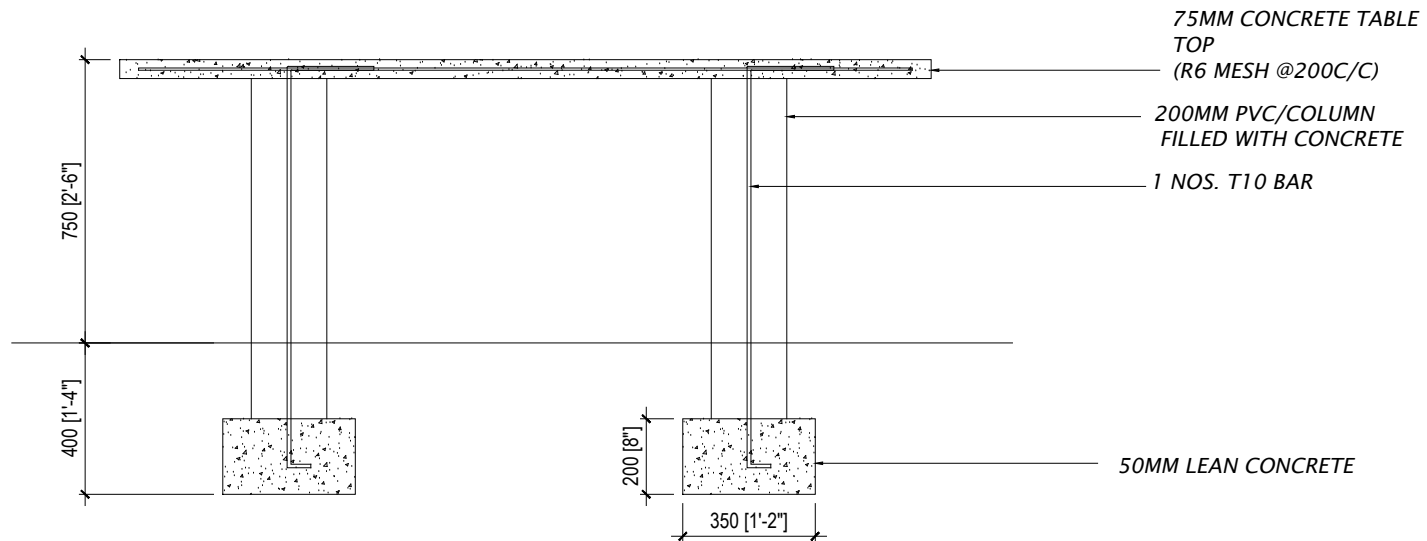
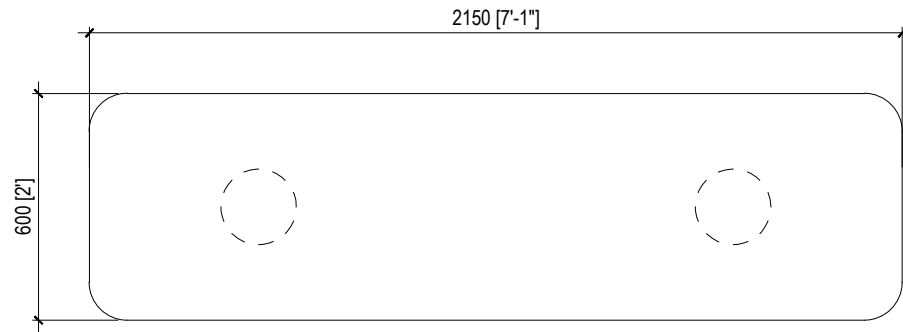
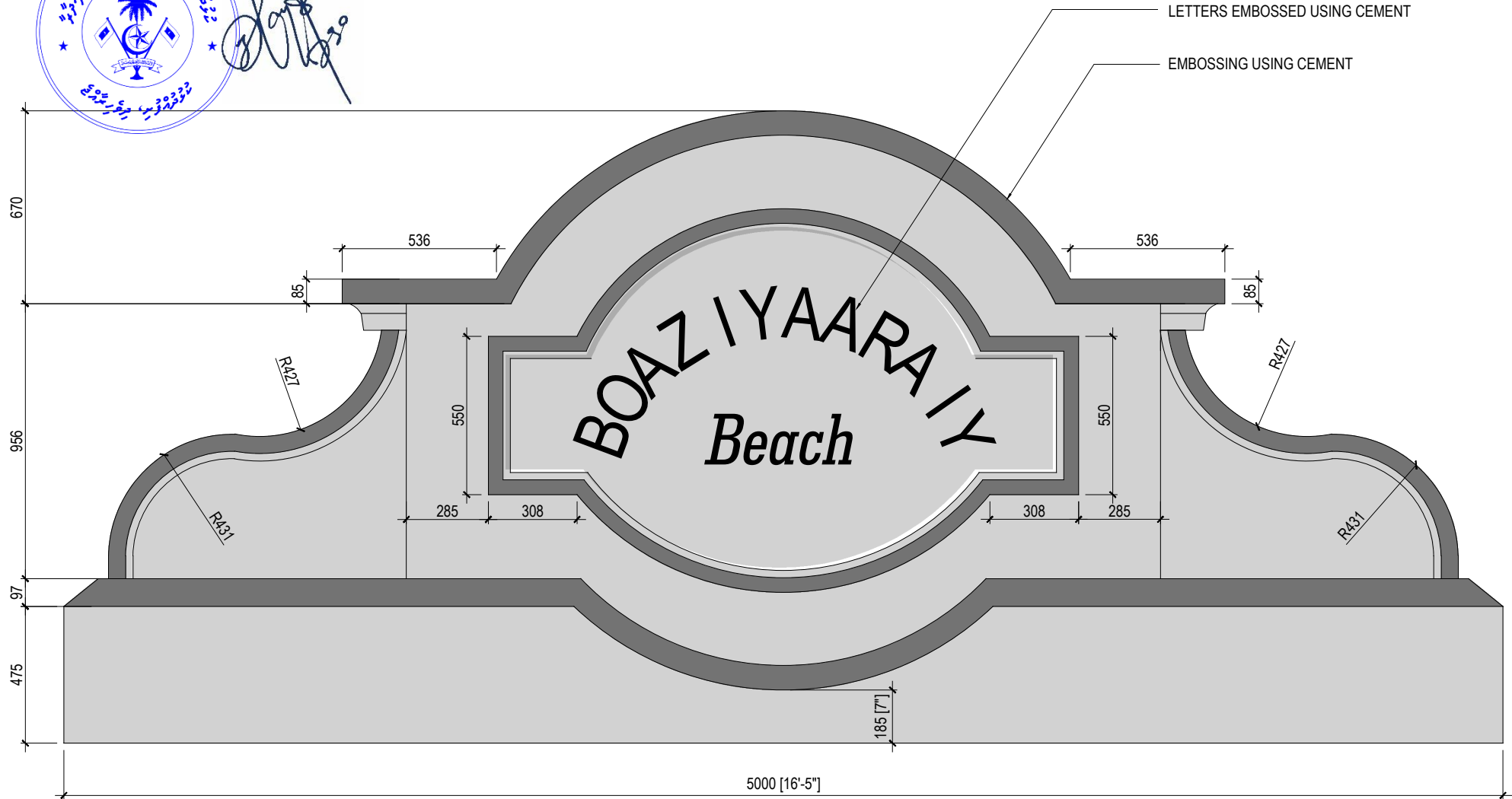


TABLE DETAILS (TYPE-3)
SCALE 1:20



SECRETARIAT OF THE KULHUDHUFFUSHI CITY COUNCIL AMEENEE MAGU, KULHUDHUFFUSHI CITY, 02110, REP. OF MALDIVES TEL: 1621 EMAIL: info@kulhudhuffushicity.gov.mv	SHEET TITLE: CONCRETE TABLE DRAWINGS	PROJECT: BOAZIYAARAIY BEACH DEVELOPMENT	DRAWN BY: ADAM MOHAMED	DATE: 26 OCTOBER 2024	PAGE NO: 54
			CHECKED BY: IMRAN AHMED	SCALE: AS GIVEN	

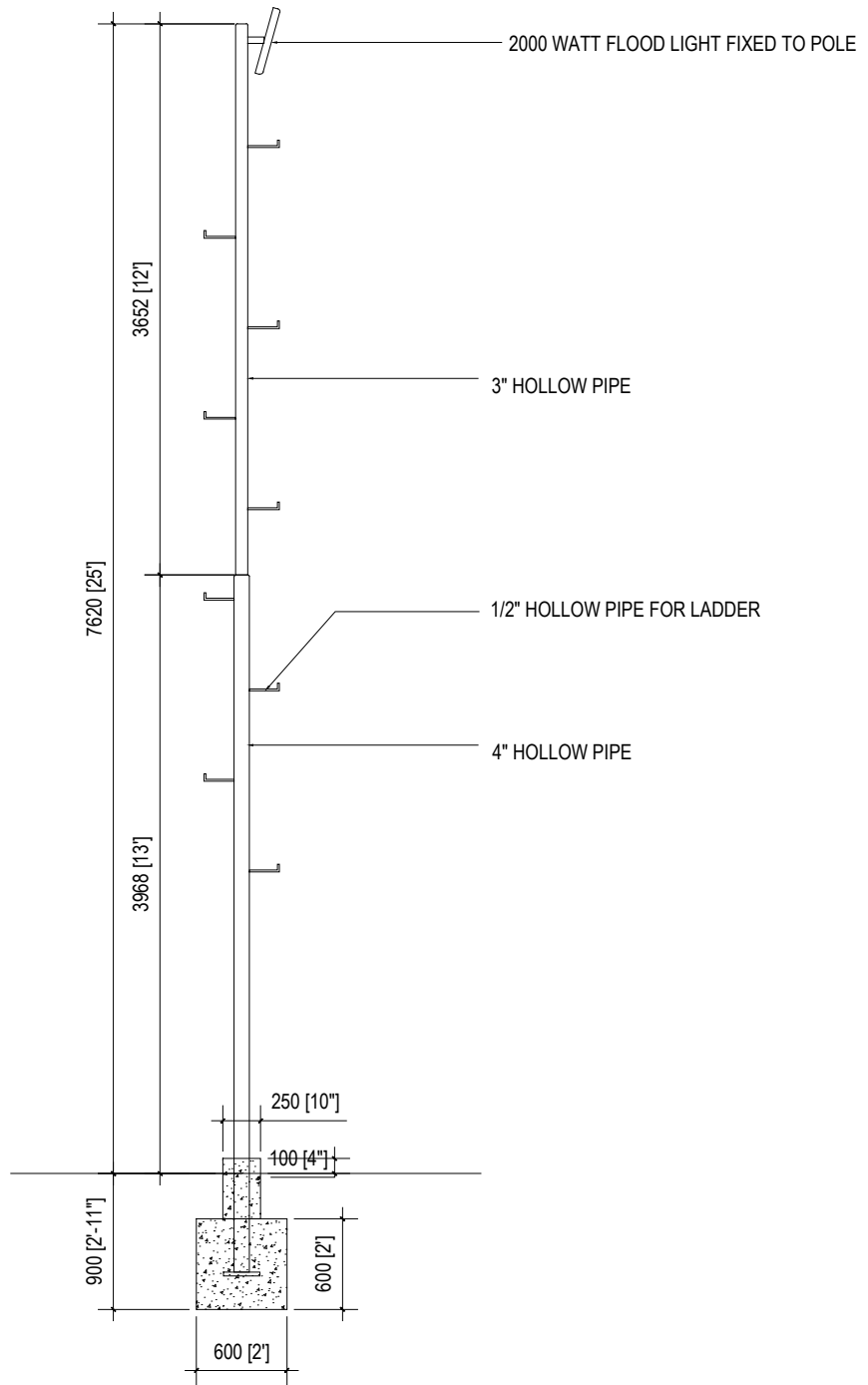



NOTE: MONUMENT CONSTRUCTED USING MASONRY

<p>SECRETARIAT OF THE KULHUDHUFFUSHI CITY COUNCIL AMEENEE MAGU, KULHUDHUFFUSHI CITY, 02110, REP. OF MALDIVES TEL: 1621 EMAIL: info@kulhudhuffushicity.gov.mv</p>	<p>SHEET TITLE: NAME BOARD MONUMENT</p>	<p>PROJECT: BOAZIYAARIY BEACH DEVELOPMENT</p>	<p>DRAWN BY: ADAM MOHAMED</p> <p>CHECKED BY: IMRAN AHMED</p>	<p>DATE: 26 OCTOBER 2024</p> <p>SCALE: AS GIVEN</p>	<p>PAGE NO:</p> <p>55</p>
--	---	---	--	---	---



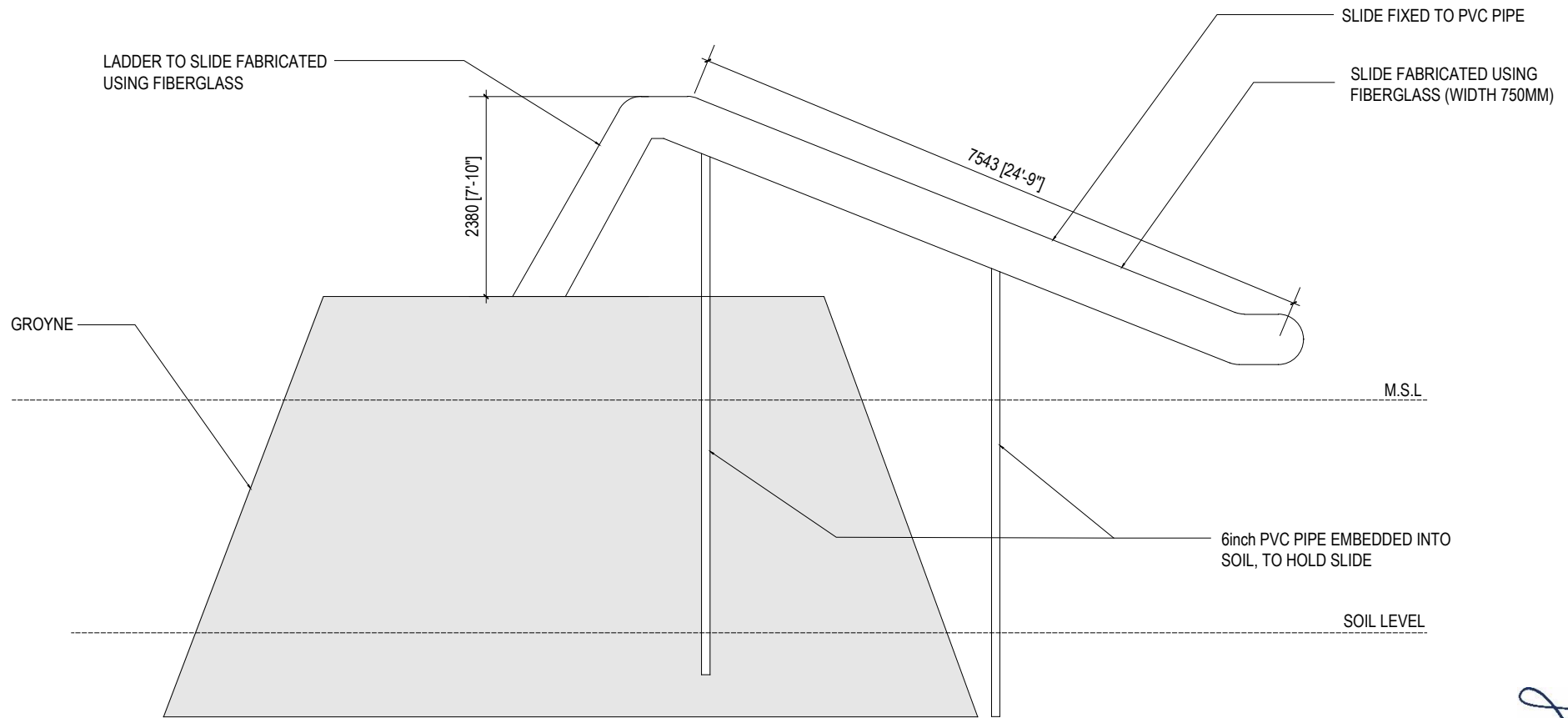
SECRETARIAT OF THE KULHUDHUFFUSHI CITY COUNCIL AMEENEE MAGU, KULHUDHUFFUSHI CITY, 02110, REP. OF MALDIVES TEL: 1621 EMAIL: info@kulhudhuffushicity.gov.mv	SHEET TITLE: NAME BOARD SAMPLE	PROJECT: BOAZIYAARAIY BEACH DEVELOPMENT	DRAWN BY: ADAM MOHAMED	DATE: 26 OCTOBER 2024	PAGE NO: 55-1
			CHECKED BY: IMRAN AHMED	SCALE: AS GIVEN	

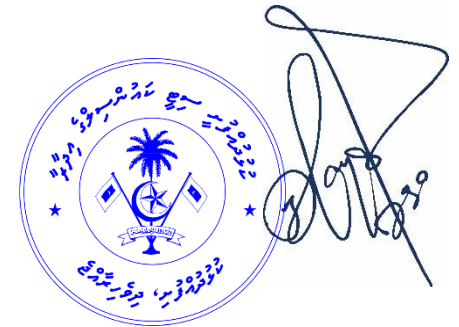
FLOOD LIGHT POST DETAIL

SCALE 1:50

SECRETARIAT OF THE KULHUDHUFFUSHI CITY COUNCIL AMEENEE MAGU, KULHUDHUFFUSHI CITY, 02110, REP. OF MALDIVES TEL: 1621 EMAIL: info@kulhudhuffushicity.gov.mv	SHEET TITLE: HUT-1 DRAWINGS	PROJECT: BOAZIYAARAIY BEACH DEVELOPMENT	DRAWN BY: ADAM MOHAMED CHECKED BY: IMRAN AHMED	DATE: 26 OCTOBER 2024 SCALE: AS GIVEN	PAGE NO: 56
---	---------------------------------------	---	---	--	----------------------------------



WATER SLIDE
SCALE 1:75



<p>SECRETARIAT OF THE KULHUDHUFFUSHI CITY COUNCIL AMEENEE MAGU, KULHUDHUFFUSHI CITY, 02110, REP. OF MALDIVES TEL: 1621 EMAIL: info@kulhudhuffushicity.gov.mv</p>	<p>SHEET TITLE: GROYNE DRAWINGS</p>	<p>PROJECT: BOAZIYAARAIY BEACH DEVELOPMENT</p>	<p>DRAWN BY: ADAM MOHAMED</p> <p>CHECKED BY: IMRAN AHMED</p>	<p>DATE: 26 OCTOBER 2024</p> <p>SCALE: AS GIVEN</p>	<p>PAGE NO: 57</p>
--	--	---	--	---	--------------------------------------